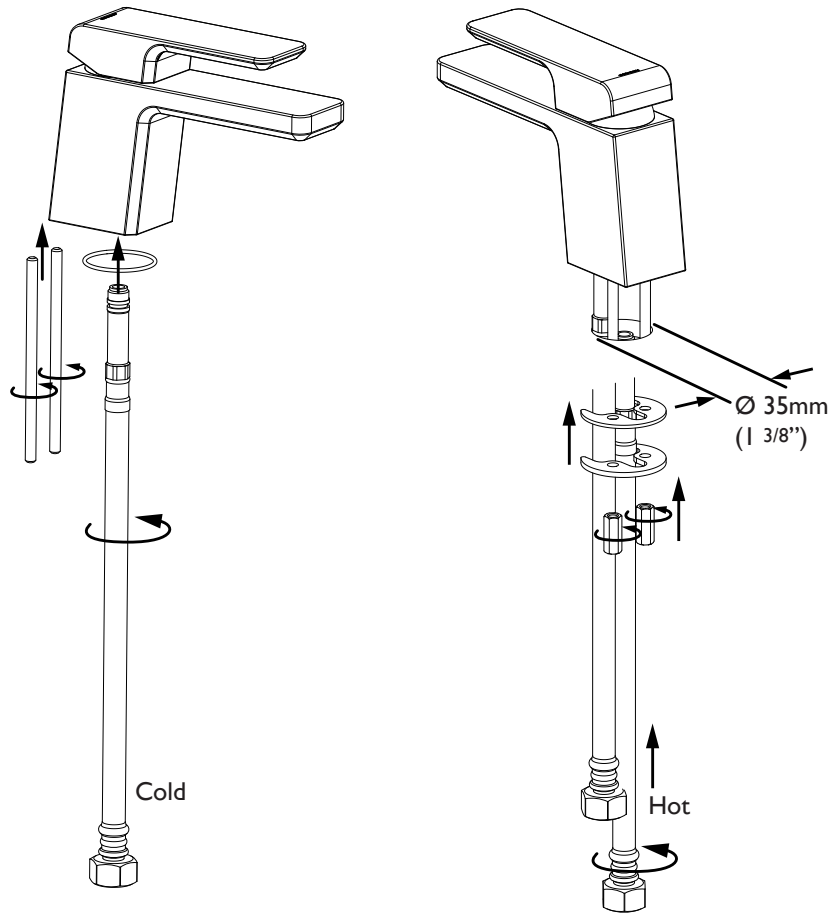


## Mixer and Hose Assembly



## Basin Mixer

Amio 01-4002  
Rere 01-3005

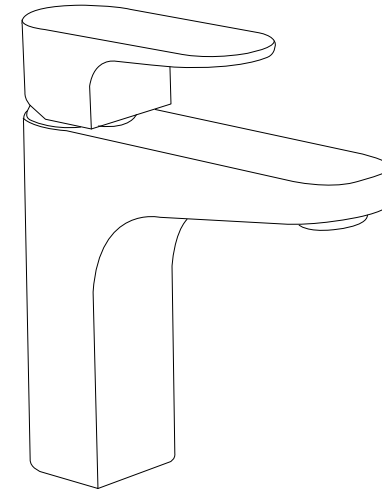


Illustration may not reflect actual product shape.

## Installation Guide

### IMPORTANT

**Please read all of the instructions before installation**

Use of this product in non-domestic applications voids warranty.  
All pipe work must be thoroughly flushed prior to the installation of the mixer.  
NEFA inline filters must be installed on both hot and cold supplies.  
Do not remove the ceramic cartridge from the mixer when installing.  
Damage caused by hydrostatic testing is not covered by our warranty.



SPEC 001  
LIN WMKA21005



JAN 2009

MA433400

**Methven Australia Pty Ltd**

ABN 15 104 813 390

Melbourne, Australia

[www.methven.com](http://www.methven.com)

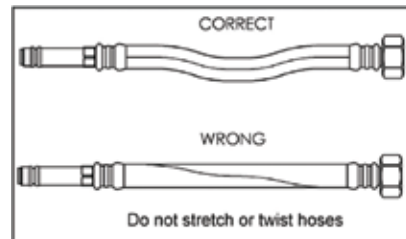
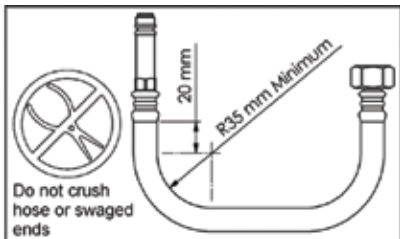
[www.methven.com](http://www.methven.com)

## Technical Specifications

Inlet Connections: All 1/2' BSP  
 Operating Pressure: 150kPa - 500kPa  
 Operating Temperatures: Recommended hot water supply 50°C, maximum 70°C. AS 3500 requires all hot water supplies to any sanitary fitting to be tempered to 50°C.

## Hose Requirements for mixers

The maximum working pressure of the ceramic cartridge is 1000kPa. Do not hydrostatic test the installation with this mixer installed. Damage to the ceramic cartridge may occur.



## “In situ” testing

The maximum working pressure of the ceramic cartridge is 1000kPa. Do not hydrostatic test the installation with this mixer installed. Damage to the ceramic cartridge may occur, voiding our warranty.

## Installation

Refer to diagram at right.

1. A single 35mm diameter hole is required in the mounting surface. The mounting surface can be a maximum of 40mm thick.
3. Screw the threaded studs into the base of the mixer. Insert the O ring into the groove in the bottom of the base ring and fit the base ring to the bottom of the mixer.
4. Insert the flexible hoses through the hole in the mounting surface (from the underside) and screw them into the base of the mixer.
5. Feed the threaded studs through the hole in the mounting surface. Fit the mounting gasket and mounting plate onto the threaded rods.
6. Tighten the mounting nuts to secure the mixer in place.
7. Connect the flexible hoses to the hot and cold supplies (hot on the left, cold on the right).

