

AROHA WALL MOUNTED SINGLE LEVER MIXER INSTALLATION GUIDE

TECHNICAL SPECIFICATIONS

Operating Pressure:

Min 150kPa, Max 1000kPa.

Recommended 150-500kPa.

Recommended installation of a pressure limiting valve if supply exceeds 500kPa.

Operating Temperature:

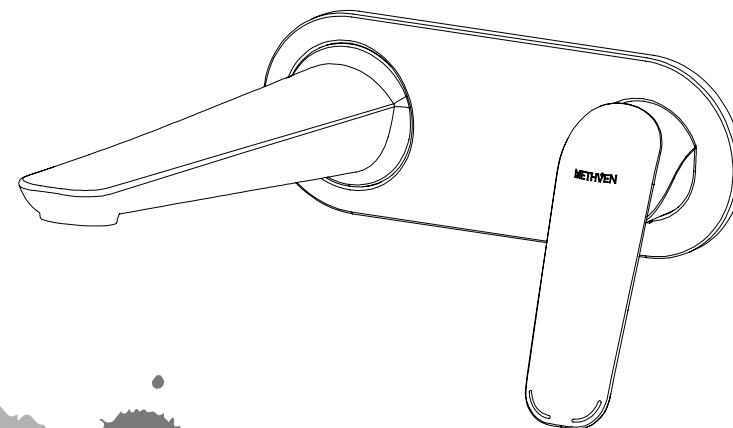
Hot: Min 55°C (at mixer), Max 80°C.

Cold: Min 5°C.

NB: New Zealand Building Code Clause G12 - Water Supplies specifies all outlets used primarily for personal hygiene shall deliver water at a safe temperature.

Inlet Connections:

All 1/2" BSP.



Methven warrants this product against manufacturing defects and that it is suitable for use under the operating conditions specified in this instruction sheet.

For your warranty please refer to www.methven.com or call Customer Service

New Zealand
0800 804 222

Australia
1300 638 483

UK
0800 195 1602



IMPORTANT

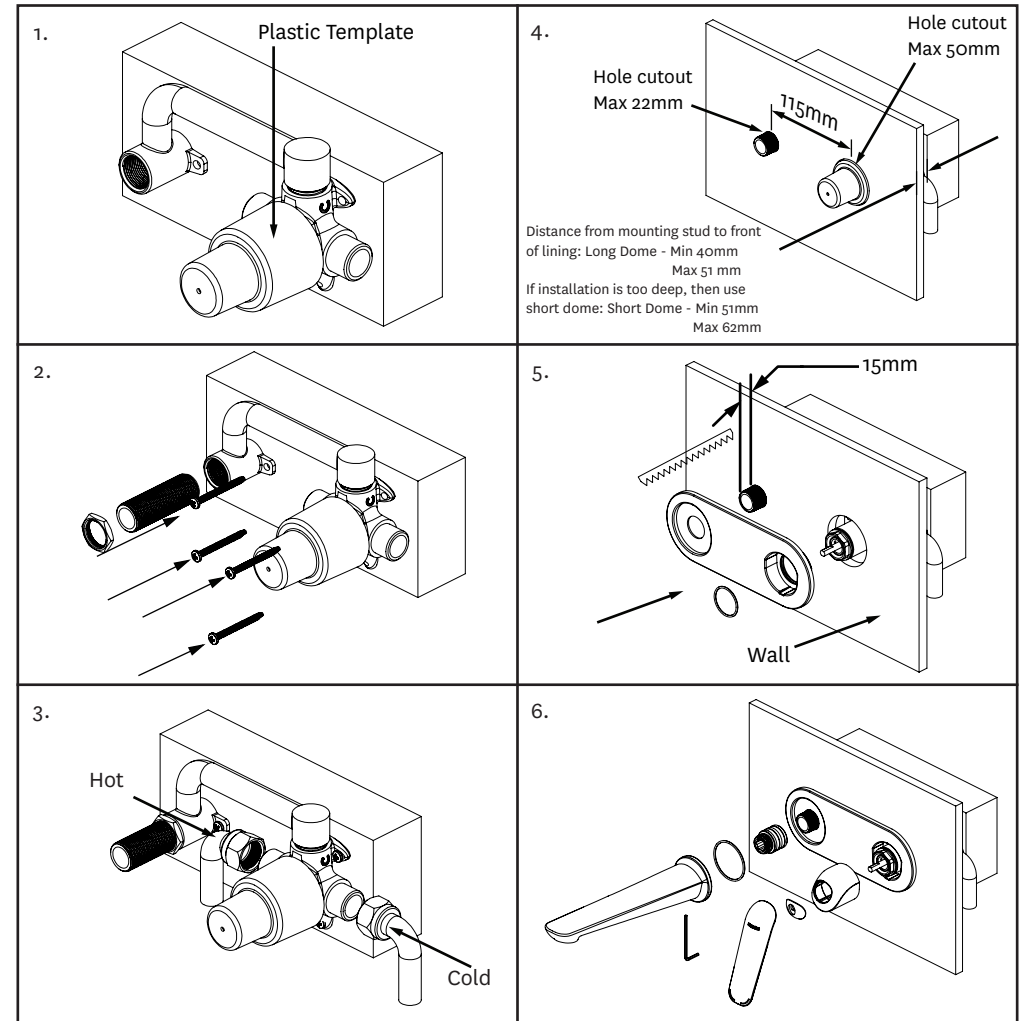
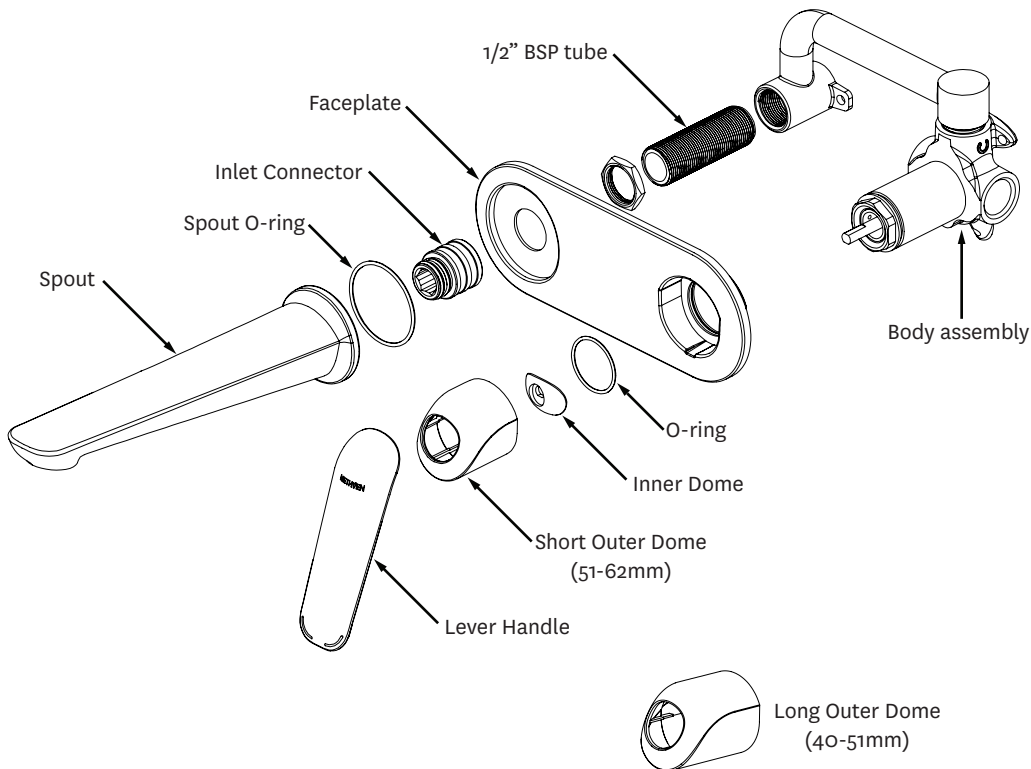
Please read all of the instructions before installation

Avoid restrictive piping, fittings or sharp angled bends when plumbing the mixer.

Do not hydrostatic test the installation with this mixer installed. Damage to the ceramic headworks may occur.

All pipe-work must be thoroughly flushed prior to installation of the mixer. In-line filters must be installed on both hot and cold supplies to prevent foreign particles damaging the ceramic headworks.

NOTE: It is the responsibility of the installer to ensure a water proof seal is achieved between the faceplate and finished surface of the wall. Silicon should be used between the faceplate and the finished wall surface to ensure a seal is achieved.



Final fit-off (number 5 & 6)

- A. Trim 1/2" BSP tube to length. Max 15mm +/- 2mm protruding from wall lining.
 - B. Remove plastic template and fit face plate to wall (use sealant if required).
 - C. Fit Inlet Connector and spout.
 - D. Assemble 'O' ring, Inner dome, Outer dome and Handle.
- Note: Do not turn spout against face plate to avoid marking.* Tighten with Allen Key.