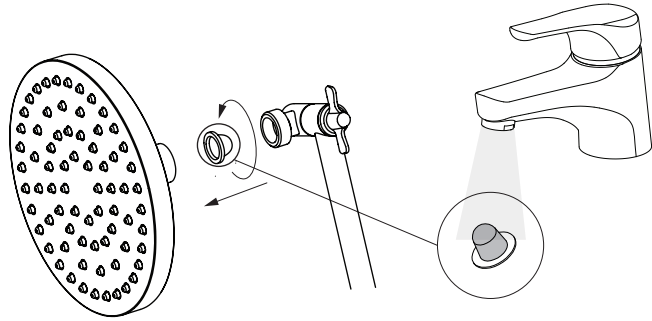


Care and Cleaning:

Never use abrasives or abrasive cleaning agents to clean this product. Clean regularly with contamination free warm soapy water and a damp soft cloth.

Clean filter washer located in the swivel joint periodically.



If shower performance is compromised by the build-up of lime-scale, soak in limescale remover for up to 10 minutes. Do not use products containing chlorine bleach or hydrochloric acid as these can damage the shower. Always rinse the shower thoroughly after cleaning to remove cleaning products that can damage the shower.

Never insert objects into the spray nozzle or attempt to remove limescale with sharp objects or abrasives.

Methven warrants this product against manufacturing defects and that it is suitable for use under the general operating conditions specified in this instruction sheet. However, regional regulations apply and may affect your warranty. Please refer to www.methven.com or call customer service for full details.

New Zealand
0800 804 222

Australia
1300 638 483

UK
0800 195 1602

98-0307

ISSUE B
DECEMBER 2016

HI-RISE SHOWER Installation Guide

Technical Specifications:

Operating Pressure:

Min: 150kPa/1.5bar

Max: 500kPa/5bar*

Operating Temperature:

Hot: Max 70°C*

Cold: Min 5°C

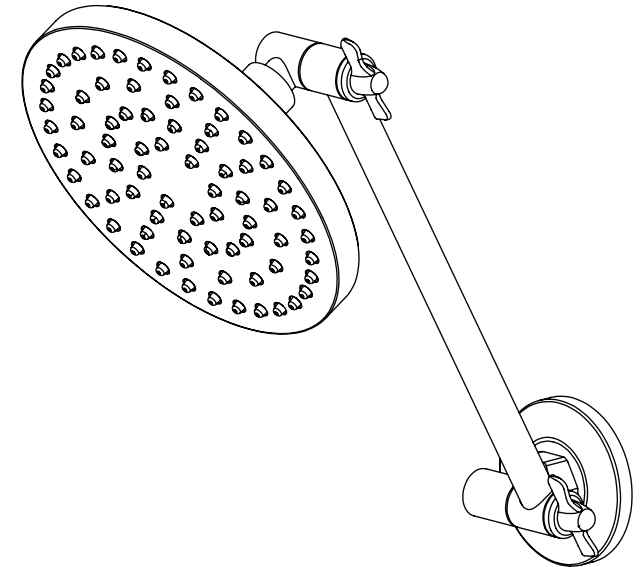
Inlet Connections:

All ½" BSP

* Regional specific regulations apply.

Please refer to your warranty statement at

www.methven.com

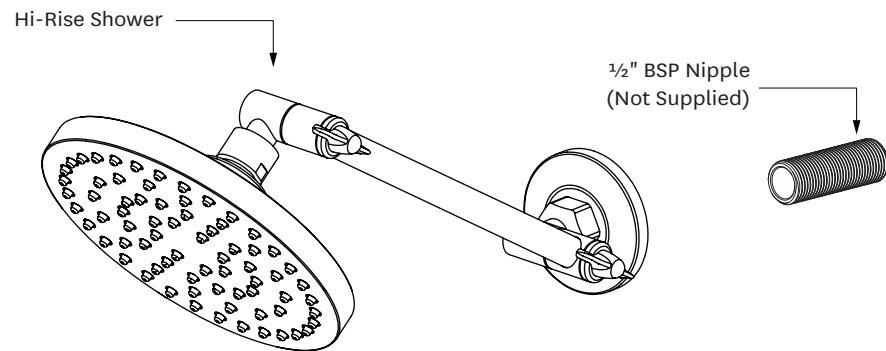


METHVEN
www.methven.com

IMPORTANT: Please read all of the instructions before installation.

General:

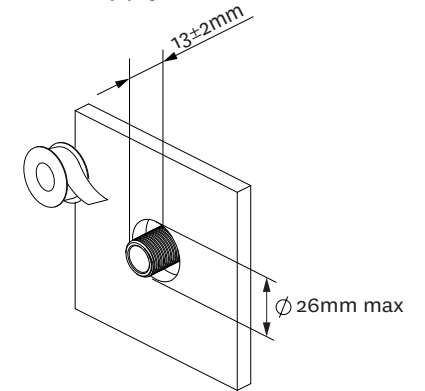
- Methven recommends this product is installed by a licensed plumber in compliance with all relevant regional regulations.
- After installation all connections must be checked for leaks.
- All outlets used primarily for personal hygiene shall deliver water at a safe temperature as per regional regulations.
- It is the responsibility of the installer to ensure a waterproof seal is achieved.
- NOTE: Some showers may not provide an effective shower when used with gravity fed heated water systems or where pressures are less than 150kPa/1.5bar at the outlet. Additionally showers with flow rates of less than 9L/min may not allow the following to function correctly:
 - some instantaneous water heaters
 - some tempering valves
 - some thermostatic mixing valves



IMPORTANT: Before you begin, turn off the water supply.

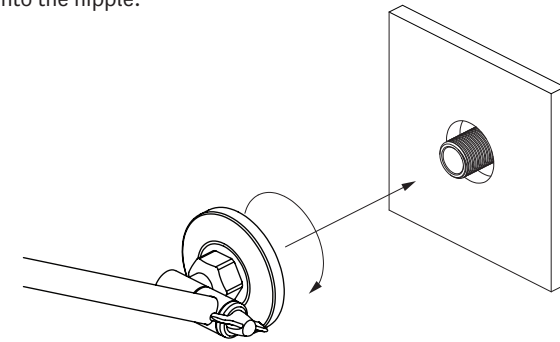
Step 1

- Wall lining hole should be cut or finished as per the dimension shown in the diagram on the right.
- Cut off the threaded nipple $13\pm 2\text{mm}$ from the wall lining and apply thread seal tape to ensure a good seal.



Step 2

- Screw the shower arm onto the nipple.



Step 3

- Ensure that the shower arm is oriented vertically.
- Ensure wrenching flats on shower arm are used to tighten onto nipple.
DO NOT USE ARM AS LEVER.

