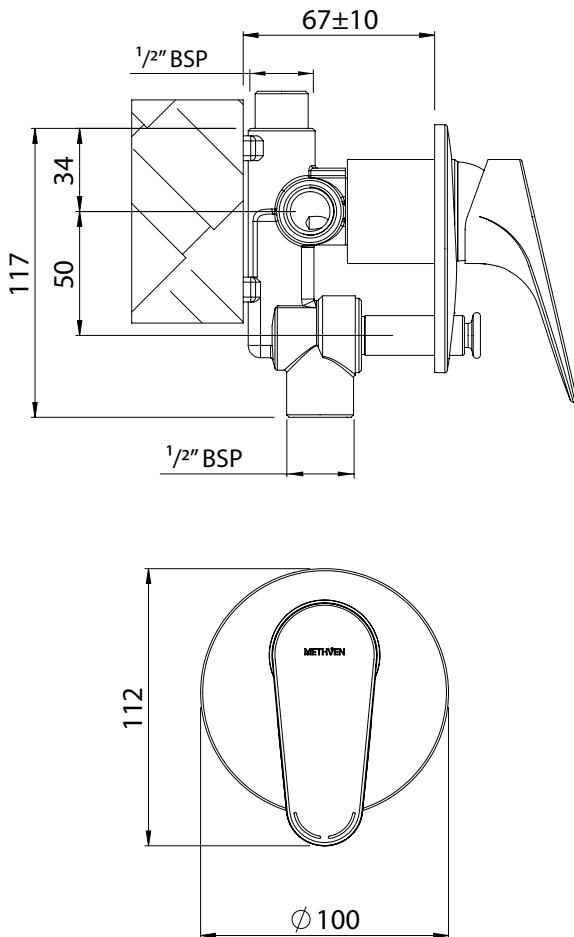


01-8581
MAKU SHOWER MIXER
WITH DIVERTER



FINISH: Chrome

CONSTRUCTION: Brass
CARTRIDGE TYPE: 25mm
SUPPLY: Mains Pressure
CONNECTIONS: 1/2" BSP Female
WORKING PRESSURES: 150 - 500 kpa
OPERATING TEMPERATURE: 5°C to 70°C*

*Refer AS/NZS 3500

- Evenflo™ technology helps to ensure consistent water flow delivery to help prevent fluctuations in water temperature even when pressure is unbalanced. Precise temperature transition from cold to hot minimises the risk of scalding and thermal shock
- 25mm ceramic disc cartridge
- Shower mixer with pull-out diverter defaults to bath spout
- Solid easy-to-grip handle
- Metal wall plate construction for longevity
- Two dome covers included to provide greater installation tolerance
- Incorporates brass lugs for ease of mounting
- Body inlets - 1/2" BSP female
- Suitable for mains pressure installation
- WELS rating not required

THE METHVEN GUARANTEE. For total peace of mind, all domestic tapware products include a 15 Year Parts and Labour Guarantee. For commercial installations, a Five Year Guarantee on Parts and Labour and a 10 Year Guarantee on Cartridge Replacements applies. For full terms and conditions, visit www.methven.com.