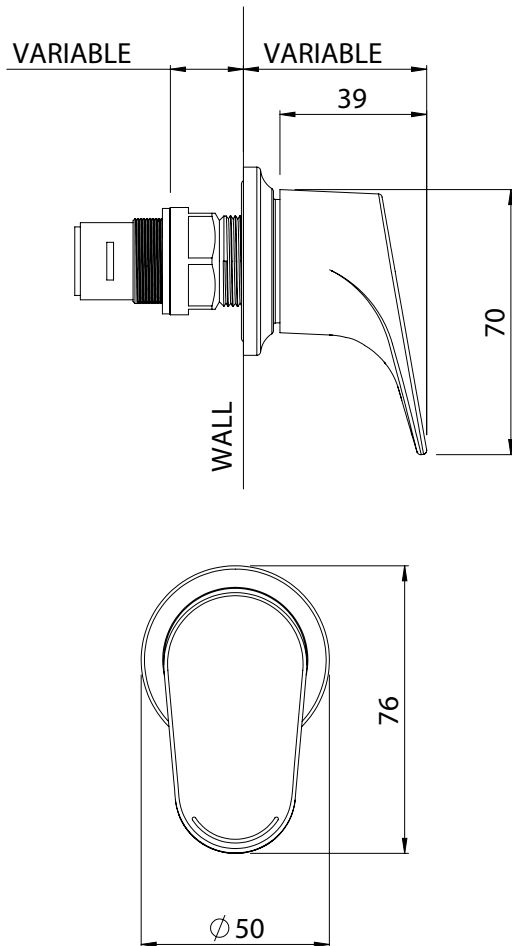


01-8840
MAKU WALL TOP
ASSEMBLY



FINISH: Chrome

CONSTRUCTION: Brass
CARTRIDGE TYPE: 1/4 turn ceramic disc
SUPPLY: Mains Pressure
CONNECTIONS: 1/2" BSP Female
WORKING PRESSURES: 150 - 500 kpa
OPERATING TEMPERATURE: 5°C to 70°C*

*Refer AS/NZS 3500

Standard Pair

- 1/4 turn ceramic disc technology
- Contra-rotating handles
- Solid easy-to-grip handles
- Suitable for use with Maku wall mounted basin and bath spouts (*sold separately*)
- Suitable for retro-fit to existing wall breach
- WELS rating not required