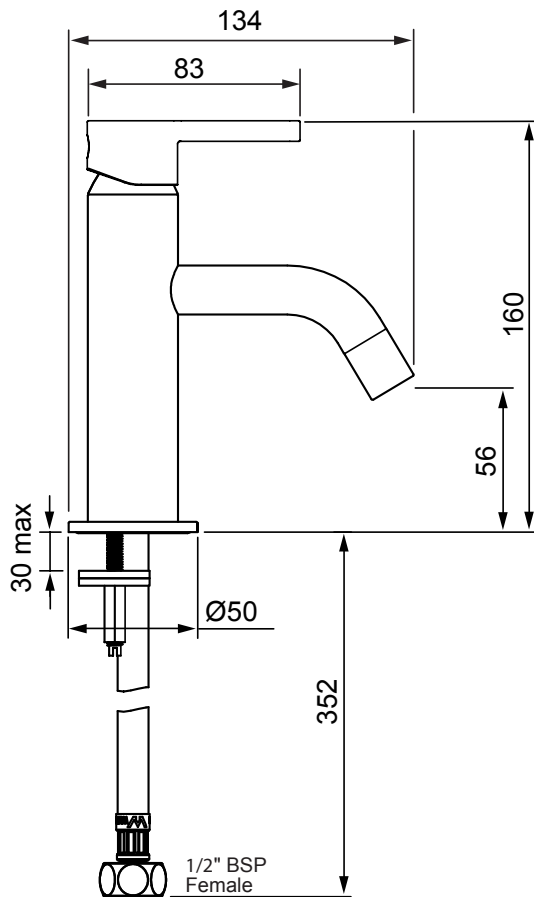


03-9104M
ARROW BASIN MIXER



FINISH: Chrome

CONSTRUCTION: Brass
CARTRIDGE TYPE: 25mm ceramic
SUPPLY: Mains Pressure
CONNECTIONS: 1/2" BSP Female
WORKING PRESSURES: 150 - 500 kpa
OPERATING TEMPERATURE: 5°C to 70°C*

- 25mm ceramic disc cartridge
- Solid brass construction for longevity
- Solid modern pin lever handle
- Fixed cast spout fitted with aerator
- Twin-stud mounting for secure basin installation
- Stainless steel flexible hoses – 1/2" BSP female
- Suitable for mains pressure installation
- WELS 5 Star 6l/min

THE METHVEN GUARANTEE. For total peace of mind, all domestic tapware products include a 15 Year Parts and Labour Guarantee. For commercial installations, a Five Year Guarantee on Parts and Labour and a 10 Year Guarantee on Cartridge Replacements applies. For full terms and conditions, visit www.methven.com.