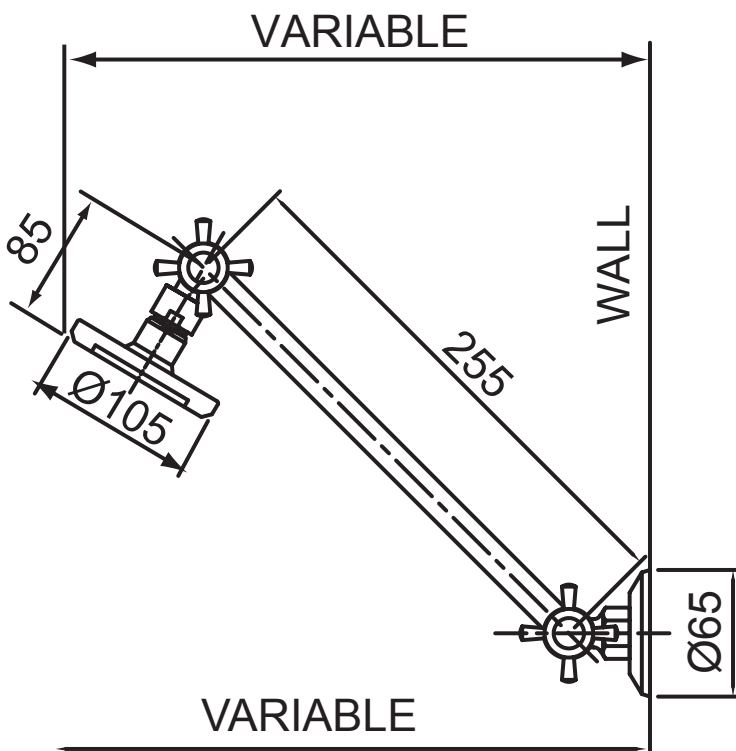


13-7022

KIRI GRAPHITE SATINJET LOW FLOW HI RISE SHOWER ON CAPSTAN ARM



Satinjet®



FINISH: Chrome / Graphite

FUNCTIONS: Satinjet®

INSTALL METHOD: Screw-off, Screw-on

SUPPLY: Mains Pressure

CONNECTIONS: 1/2" BSP Female

WORKING PRESSURES: 150 - 500 kpa

OPERATING TEMPERATURE: Recommended 50°C*

*Refer AS/NZS 3500

- Features the revolutionary Satinjet® spray design. Twin jets of water collide into thousands of tiny droplets to deliver voluminous shower coverage
- Single function shower rose featuring Satinjet® spray
- Easy-to-clean faceplate
- Height adjustable, 255mm hi rise arm with self-tightening capstan nuts
- Brass, adjustable ball joint connection
- Easy screw-off, screw-on installation with no drilling required
- Low Flow shower head design for high water efficiency

THE METHVEN GUARANTEE. For total peace of mind, all domestic shower products include a Lifetime Replacement Guarantee. For commercial installations, Satinjet® showers carry a 15 Year Replacement Warranty. For full terms and conditions, visit www.methven.com.