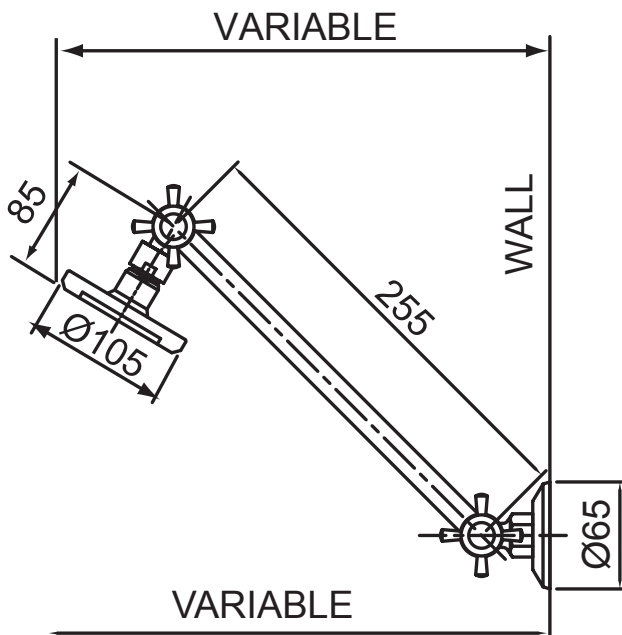


13-7077P
KIRI GRAPHITE SATINJET HI RISE SHOWER ON CAPSTAN ARM



Satinjet®



FINISH: Chrome/Graphite

FUNCTIONS: Satinjet®
MOUNTING METHOD: Wall outlet mounting
SUPPLY: Mains Pressure
CONNECTIONS: 1/2" BSP Female
WORKING PRESSURES: 150 - 500 kpa
OPERATING TEMPERATURE: Recommended 50°C*

*Refer AS/NZS 3500

- Features the revolutionary Satinjet® spray design. Twin jets of water collide into thousands of tiny droplets to deliver voluminous shower coverage
- Single function shower rose featuring Satinjet® spray
- Easy-to-clean faceplate
- Height adjustable, 255mm hi rise arm with self-tightening capstan nuts
- Brass, adjustable ball joint connection
- Easy retro-fit installation

THE METHVEN GUARANTEE. For total peace of mind, all domestic shower products include a Lifetime Replacement Guarantee. For commercial installations, Satinjet® showers carry a 15 Year Replacement Warranty. For full terms and conditions, visit www.methven.com.