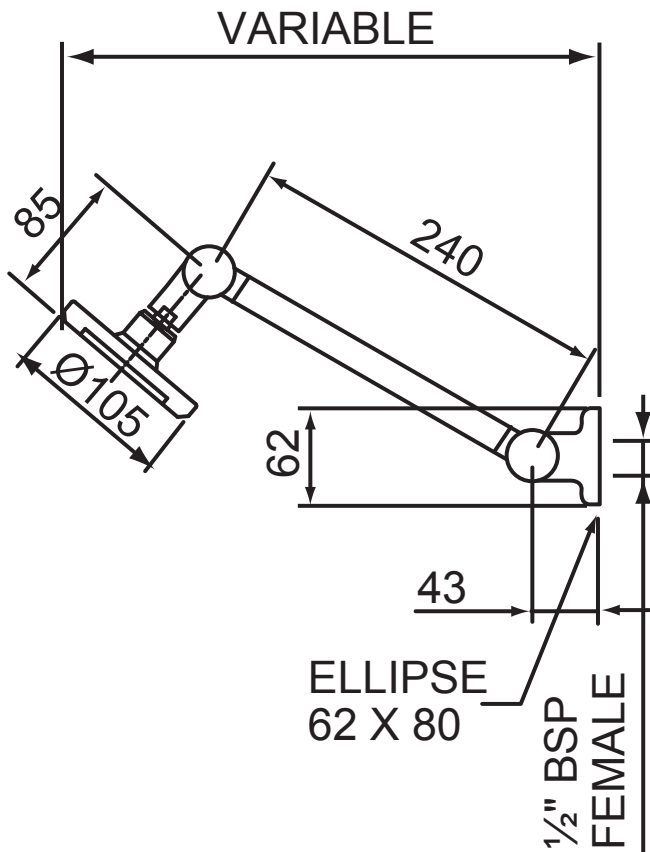


KIHRCPSCAU
KIRI SATINJET HI RISE
SHOWER



Satinjet®



FINISH: Chrome / Satin Chrome

FUNCTIONS: Satinjet®

MOUNTING METHOD: Wall outlet mounting

SUPPLY: Mains Pressure

CONNECTIONS: 1/2" BSP Female

WORKING PRESSURES: 150 - 500 kpa

OPERATING TEMPERATURE: Recommended 50°C*

*Refer AS/NZS 3500

- Features the revolutionary Satinjet® spray design. Twin jets of water collide into thousands of tiny droplets to deliver voluminous shower coverage
- Single function shower rose featuring Satinjet® spray
- Easy-to-clean faceplate
- Height adjustable, never droop, hi rise arm with a swivel joint that will not loosen or droop with use
- Brass adjustable ball joint connection
- Easy retro-fit installation
- Stylish satin chrome faceplate colour