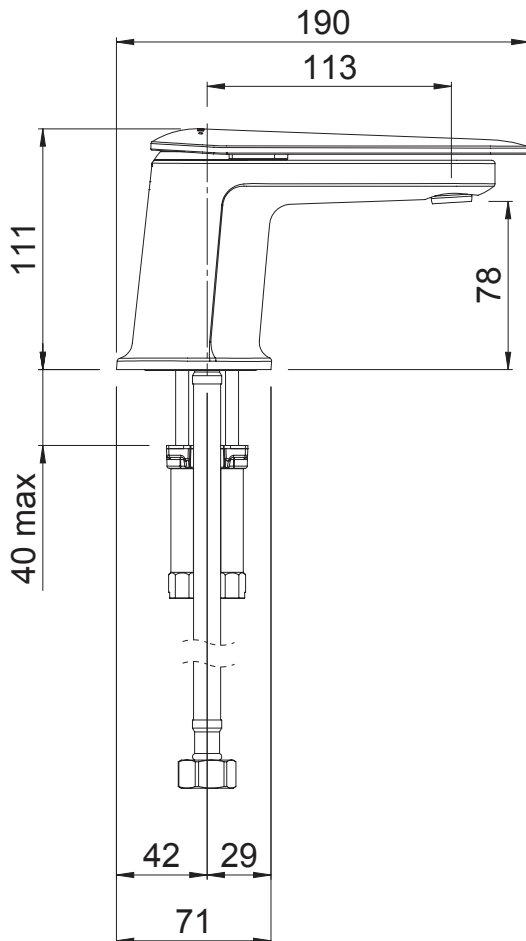


AOBCPAU
AIO BASIN MIXER



FINISH: Chrome

CONSTRUCTION: Lead Free Eco Brass
CARTRIDGE TYPE: 35mm ceramic
SUPPLY: Mains Pressure
CONNECTIONS: 1/2" BSP Female
WORKING PRESSURES: 150 - 500 kpa
OPERATING TEMPERATURE: 5°C to 80°C*

*Refer AS/NZS 3500

- Crafted from Eco Brass®, a revolutionary high quality, high strength, corrosion resistant material that is lead and heavy metal free, therefore preserving water quality for both consumption and bathing.
- 35mm ceramic disc cartridge can be adjusted to reduce the temperature setting, saving energy.
- Cushion close handle protects against forceful tap closure protecting the cartridge and spout.
- ASD aerator included for optimised water stream direction.
- Integrated base ring eliminates potential build-up of dirt, making cleaning easier.
- Twin-stud mounting for secure basin installation.
- Stainless steel flexible hoses - 1/2" BSP female.
- Suitable for mains pressure installation.
- WELS 4 Star 7.5l/min.

THE METHVEN GUARANTEE. For total peace of mind, all Aio domestic tapware products include a 20 Year Parts and Labour Guarantee. For commercial installations, a Five Year Guarantee on Parts and Labour and a 10 Year Guarantee on Cartridge Replacements applies. For full terms and conditions, visit www.methven.com.