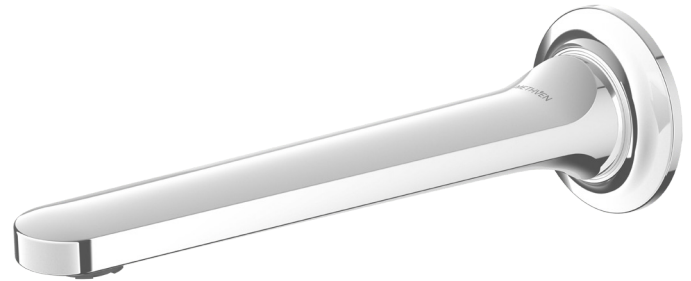
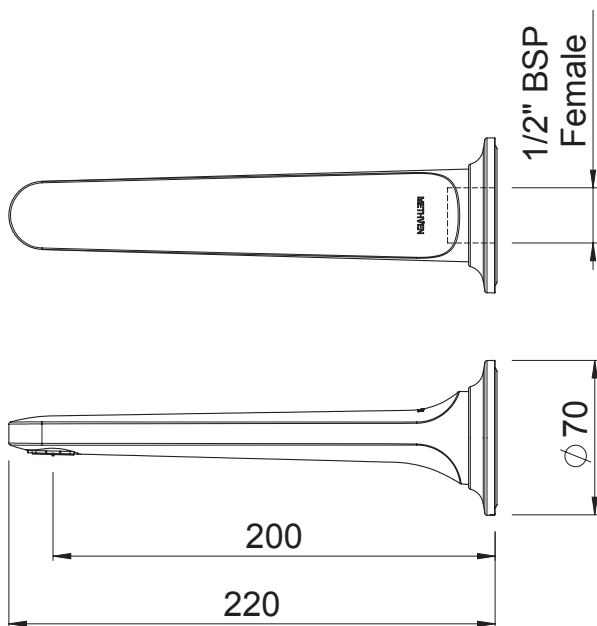


AOSPWBTCPAU
AIO WALL MOUNTED
BATH SPOUT



FINISH: Chrome

CONSTRUCTION: Lead Free Eco Brass

CARTRIDGE TYPE: -

SUPPLY: Mains Pressure

CONNECTIONS: 1/2" BSP Female - Push-fit

WORKING PRESSURES: 150 - 500 kpa

OPERATING TEMPERATURE: 5°C to 80°C*

*Refer AS/NZS 3500

- Crafted from Eco Brass®, a revolutionary high quality, high strength, corrosion resistant material that is lead and heavy metal free, therefore preserving water quality for both consumption and bathing.
- Cast brass spout.
- ASD aerator included for optimised water stream direction
- Suitable for use with Aio Shower Mixer (*sold seperately*)
- inlet - 1/2" BSP female push-fit connection
- Suitable for mains pressure installation.
- WELS rating not required