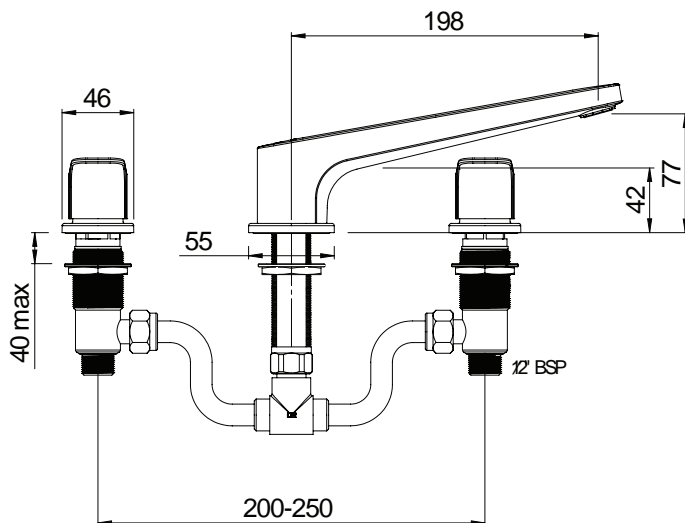


WAIPORI BATH FAUCET



CONSTRUCTION: Brass body

CARTRIDGE: 15 mm ¼ turn ceramic disc

CLASSIFICATION: Suitable for **all pressure** systems

PIPE CONNECTION: 1/2" BSP Male

WORKING PRESSURE: 35 - 1000kPa

DIMENSIONS FOR FITTING: 200mm centre projection

OPERATING TEMPERATURE: 5 °C - 80 °C

- Stainless steel flexible hoses
- Slim stream shape aerator with directional swivel
- DR brass body for greater durability and safe water

WABHCP

Chrome

<http://www.methven.com/nz/waipori-3-hole-hob-mounted-bath-faucet>