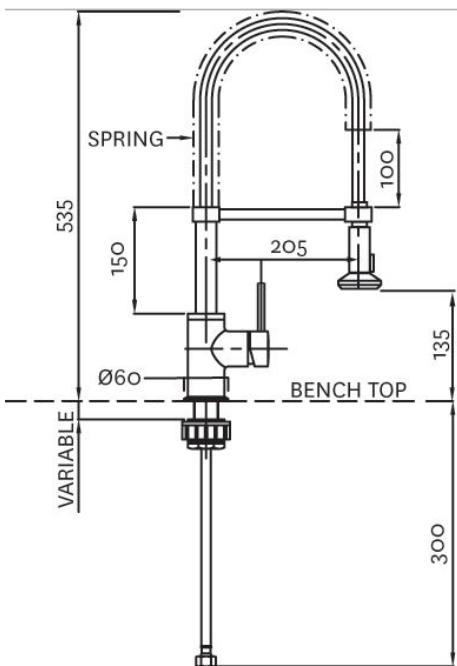


. / . - 5A/ -- Ø 4 .



CONSTRUCTION: Brass body

CARTRIDGE TYPE: Ceramic (SP033510)

CLASSIFICATION: Suitable for **all pressure** systems

INLET CONNECTIONS: 1/2" BSP Female

WORKING PRESSURE: 35 - 1000kPa

DIMENSIONS FOR FITTING: 38mm diameter hole

OPERATING TEMPERATURE: 5 °C - 80 °C

WATER FLOW RATE: 8.0 l/m

- Swivel spout with aerator
- Stainless steel flexible inlet hoses
- 5 BPTSB
- 3 star WELS rated on mains pressure (8.0 l/pm)
- 3 star WELS rated on low pressure (8.0 l/pm)

MMKHRCP

Chrome

<http://www.methven.com/nz/minimalist-goose-neck-sink-mixer>