

Warranty Information

Proof of purchase will be required.

The guarantee does not cover faults or damage caused by incorrect installation and/or maintenance, ordinary wear and tear, water composition, etc.

*Please see www.methven.com for full terms and conditions of warranty

Cleaning

Your product has a high-quality finish and should be treated with care to preserve the visible surfaces. Never use abrasives or abrasive cleaning agents to clean this product clean regularly with contamination free warm water and a damp soft cloth. Do not use products containing chlorine bleach or hydrochloric acid as these can damage the product.

We have a policy of continuous improvement and reserve the right to change specifications without notice.

METHVEN UK LIMITED METHVEN
EXPERIENCE CENTRE 3/3A STONE
CROSS COURT YEW TREE WAY
GOLBORNE
WARRINGTON
WA3 3JD
UNITED KINGDOM

TEL: 0800 195 1602
FAX: 0844 406 8690
EMAIL: sales@uk.methven.com
www.deva-uk.com
www.methven.com






INST-EFSR005 & EFSR007

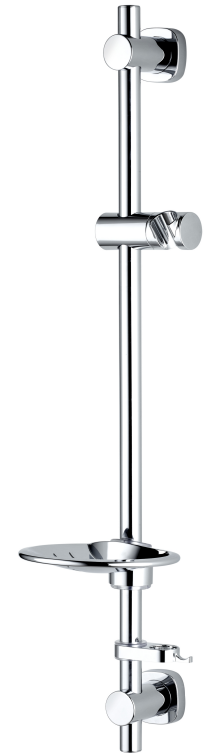
Easy Fit Shower Rail

EFSR005 & EFSR007 Installation Guide

Features:

- Easy to fit shower rail - Simply twist & lock brackets into place.
- Ideal for retrofit - using existing shower rail holes
- Button operation on slider adjustment.
- Alternative Finishes Available:

-  Chrome
-  Matte Black
-  PVD Brushed Brass
-  PVD Gunmetal
-  PVD Brushed Nickel



METHVEN
www.methven.com EST 1886

Please keep these instructions for future reference and request of replacement parts.

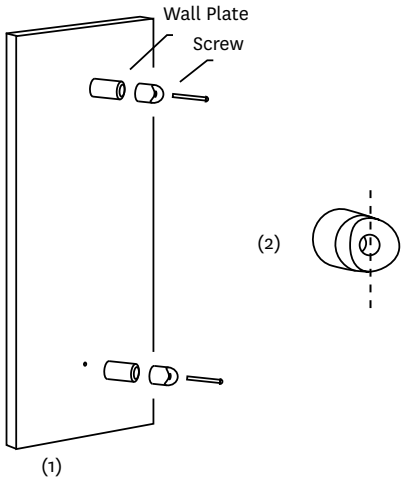
General Safety Information

Please read all of the instructions before installation.

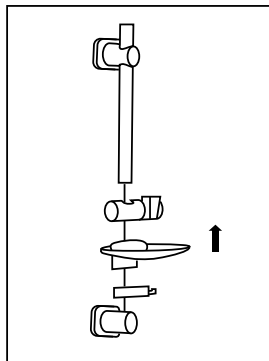
Methven recommends this product is installed by a competent person in compliance with all relevant regional regulations. Remove all packaging and check the components for damage before starting installation.

This product must not be modified in any way as this will invalidate the guarantee. It is the responsibility of the installer to ensure a waterproof seal is achieved, after installation all connections must be checked for leaks.

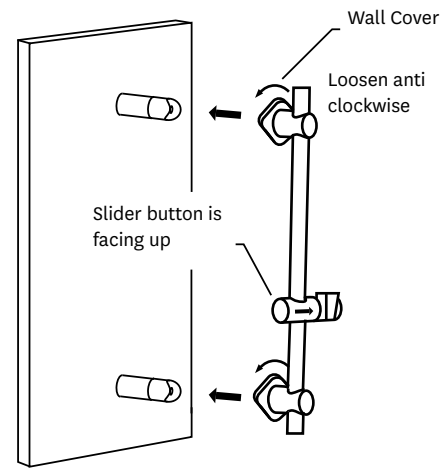
Installation Instructions



Use a 6mm drill bit to drill a hole in the wall at the desired height, drill a second hole vertically lower at a recommended height of 550mm. In certain situations, the hole may need to be further away to a maximum of 615mm. Place wall plugs into hole and push firmly into place. Place fixing bracket over the wall plugs (1) and insert screw provided, tighten until secure, repeat for second fixing bracket. Push rubber grip into fixing bracket aligning the groove vertically (2)

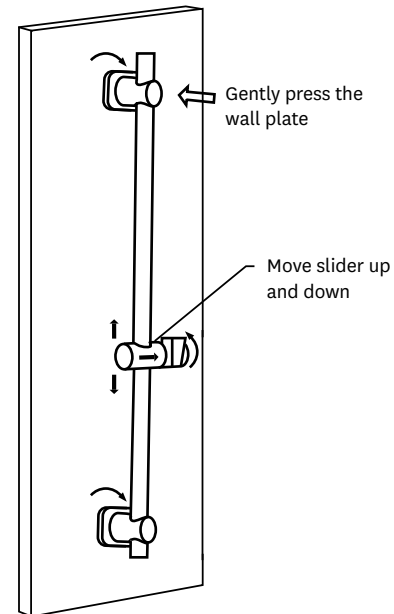


Assemble the handset slider, soap dish and hose retainer on to the rail ensuring button is facing upward. Attach both rail end assemblies.



Ensuring the handset slider button is facing upwards as shown in the illustration, adjust the two rail end assemblies to match the position of the wall brackets and turn wall covers anticlockwise to the unlock position.

Locking direction



Gently press the rail end assemblies onto the wall brackets, until the rail ends touch the wall. Turn both wall covers clockwise into the locking position, securing the rail. Adjust handset slider to desired height for showing.