

1 1/4" Press Top Basin Waste - Slotted

PTW300/017, PTW300/MB, PTW300/501, PTW300BB,
PTW300BN, PTW300GM

Installation Instructions & Maintenance Guide

This product should be fitted in compliance with Water Regulations, by a qualified plumber.

Care & Cleaning

Your product has a high-quality finish and should be treated with care to preserve the visible surfaces. Never use abrasives or abrasive cleaning agents to clean this product clean regularly with contamination free warm water and a damp soft cloth. Do not use products containing chlorine bleach or hydrochloric acid as these can damage the product.

Warranty Information

Your product has a warranty of 1 year.

Proof of purchase will be required.

The guarantee does not cover faults or damage caused by incorrect installation and/or maintenance, ordinary wear and tear, water composition, etc.

*Please see www.deva-uk.com for full terms and conditions of warranty

We have a policy of continuous improvement and reserve the right to change specifications without notice.

METHVEN UK LIMITED
METHVEN EXPERIENCE CENTRE
3/3A STONE CROSS COURT
YEW TREE WAY
GOLBORNE
WARRINGTON
WA3 3JD
UNITED KINGDOM

TEL: 0800 195 1602
FAX: +44 (0) 1942 680 190
EMAIL: sales@uk.methven.com
www.deva-uk.com
www.methven.com

METHVEN
www.methven.com 0 EST 1886

1 1/4" Press Top Basin Waste - Slotted

PTW300/017, PTW300/MB, PTW300/501, PTW300BB,
PTW300BN, PTW300GM

Installation Instructions & Maintenance Guide

This product should be fitted in compliance with Water Regulations, by a qualified plumber.

Care & Cleaning

Your product has a high-quality finish and should be treated with care to preserve the visible surfaces. Never use abrasives or abrasive cleaning agents to clean this product clean regularly with contamination free warm water and a damp soft cloth. Do not use products containing chlorine bleach or hydrochloric acid as these can damage the product.

Warranty Information

Your product has a warranty of 1 year.

Proof of purchase will be required.

The guarantee does not cover faults or damage caused by incorrect installation and/or maintenance, ordinary wear and tear, water composition, etc.

*Please see www.deva-uk.com for full terms and conditions of warranty

We have a policy of continuous improvement and reserve the right to change specifications without notice.

METHVEN UK LIMITED
METHVEN EXPERIENCE CENTRE
3/3A STONE CROSS COURT
YEW TREE WAY
GOLBORNE
WARRINGTON
WA3 3JD
UNITED KINGDOM

TEL: 0800 195 1602
FAX: +44 (0) 1942 680 190
EMAIL: sales@uk.methven.com
www.deva-uk.com
www.methven.com

METHVEN
www.methven.com 0 EST 1886

INSTALLATION

Sealant can be used on all joints to aide in sealing.

Sealant should be used between the waste body (3) and the basin surface.

Once the sealant has been applied, place the waste (1) and rubber washer (2) into the basin.

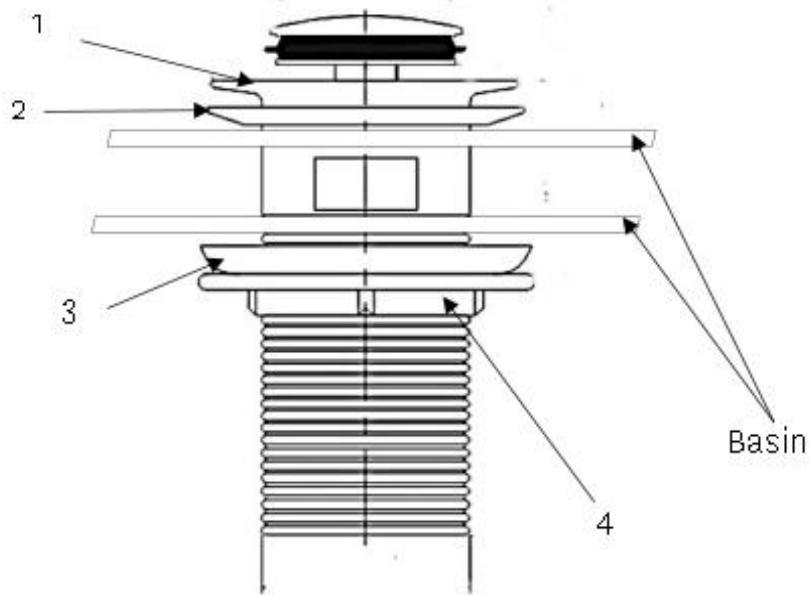
From the underside fit the rubber washer (3), over the waste tail.

Finally connect the backnut (4) to waste tail and tighten until secure.

Finally waste trap (not supplied) should be fitted.

In order to fill the basin, the button in the middle of the waste needs to be pressed down.

To release water press the button needs to be raised.



INSTALLATION

Sealant can be used on all joints to aide in sealing.

Sealant should be used between the waste body (3) and the basin surface.

Once the sealant has been applied, place the waste (1) and rubber washer (2) into the basin.

From the underside fit the rubber washer (3), over the waste tail.

Finally connect the backnut (4) to waste tail and tighten until :

Finally waste trap (not supplied) should be fitted.

In order to fill the basin, the button in the middle of the waste needs to be pressed dow

To release water press the button needs to be raised.

