

Warranty Information

Proof of purchase will be required.

The guarantee does not cover faults or damage caused by incorrect installation and/or maintenance, ordinary wear and tear, water composition, etc.

*Please see www.deva-uk.com for full terms and conditions of warranty

Cleaning

Your product has a high-quality finish and should be treated with care to preserve the visible surfaces. Never use abrasives or abrasive cleaning agents to clean this product clean regularly with contamination free warm water and a damp soft cloth. Do not use products containing chlorine bleach or hydrochloric acid as these can damage the product.

We have a policy of continuous improvement and reserve the right to change specifications without notice.

METHVEN UK LIMITED

METHVEN EXPERIENCE CENTRE
3/3A STONE CROSS COURT
YEW TREE WAY GOLBORNE
WARRINGTON
WA3 3JD
UNITED KINGDOM
INST PUW2o6BB/PUW2o6BK/
PUW2o6BN/PUW2o6GM -
29/04/2021

TEL: 0800 195 1602
FAX: 0844 406 8690
EMAIL: sales@uk.methven.com
www.deva-uk.com
www.methven.com

1½" Bath Fill and Overflow Waste

PUW2o6BB/PUW2o6BK/PUW2o6BN/PUW2o6GM

Installation And Operating Instructions

Technical Specification

Working Pressure:

Min: 0.5 Bar

Max: 5.0 Bar

Operating Temperature:

Hot: 70°C

Cold: 5°C




Inlet Connections:

1½"

Features:

- Operated by over flow allowing hands free drainage
- Also Available in Matte Black, Brushed Brass, Brushed Nickel and Gunmetal



-  Chrome
-  Matte Black
-  PVD Brushed Brass
-  PVD Gunmetal
-  PVD Brushed Nickel



METHVEN
www.methven.com EST 1886

Contents

Congratulations on your purchase of your NEW 1½" Bath Fill and Overflow Waste.

Our fitting instructions have been created with you in mind to provide you with all the information you require and, if you need any further help, please don't hesitate to contact our customer care team on 0800 195 1602.

PLEASE RETAIN THIS DOCUMENT FOR FUTURE REFERENCE

IMPORTANT: Please read all of the instructions before installation.

Methven recommends this product is installed by a competent person in compliance with all relevant regional regulations.

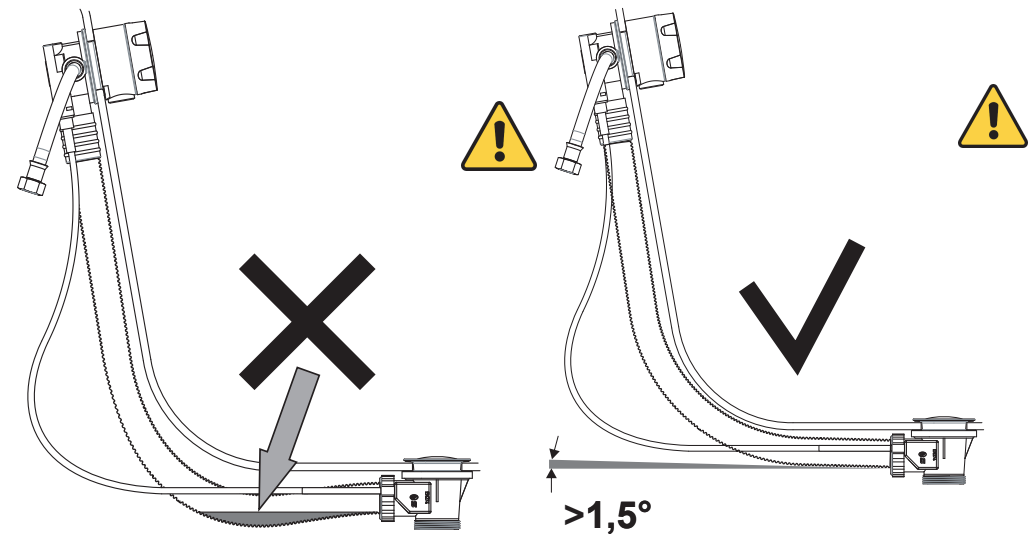
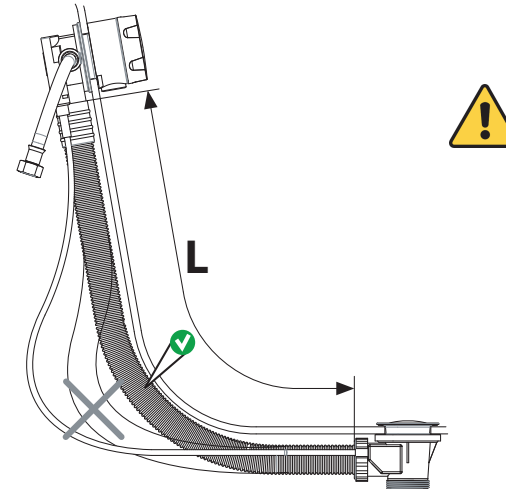
Remove all packaging and check the components for damage before starting installation.

This product must not be modified in any way as this will invalidate the guarantee.

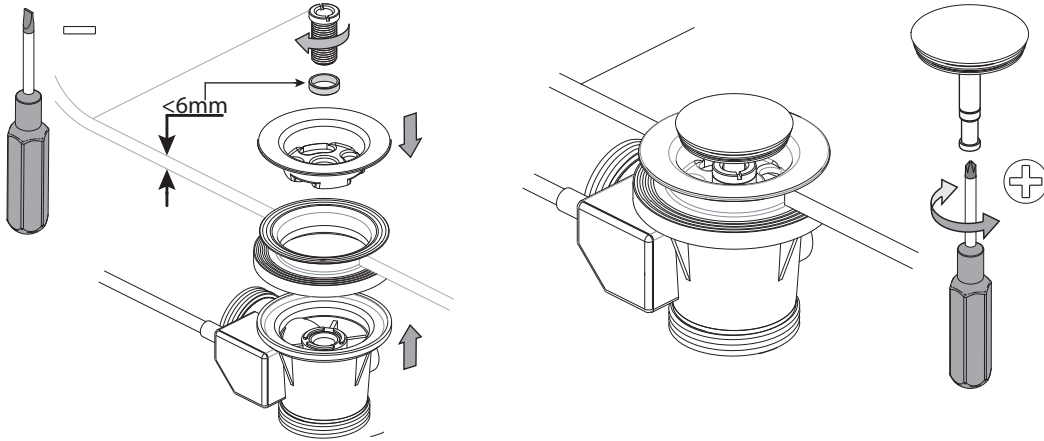
It is the responsibility of the installer to ensure a waterproof seal is achieved, after installation all connections must be checked for leaks.

All outlets used primarily for personal hygiene shall deliver water at a safe temperature as per regional regulations.

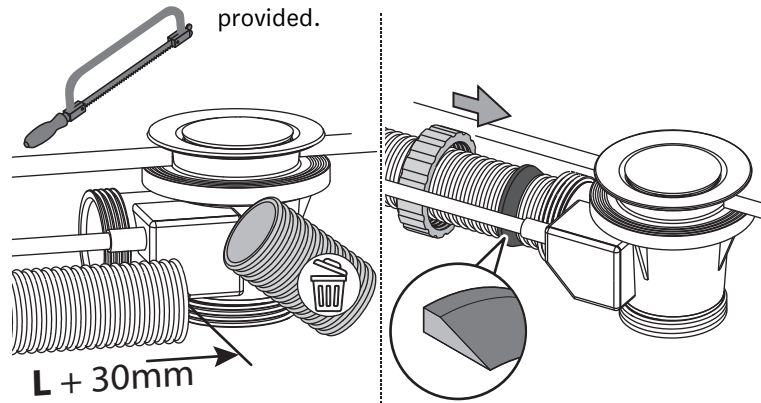
Before commencing installation of the new product, ensure that the system has been flushed to remove any debris, which could cause damage to the valves and invalidate the warranty.



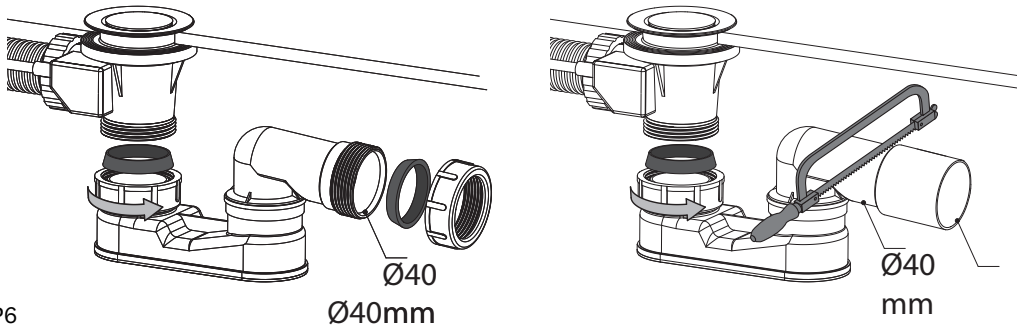
9, Fit the waste body and flange to the bath securing using screw and washer; ensure sealing washer is placed through the bath before this is done as shown on diagram. Use a pure Silicon sealant where necessary.



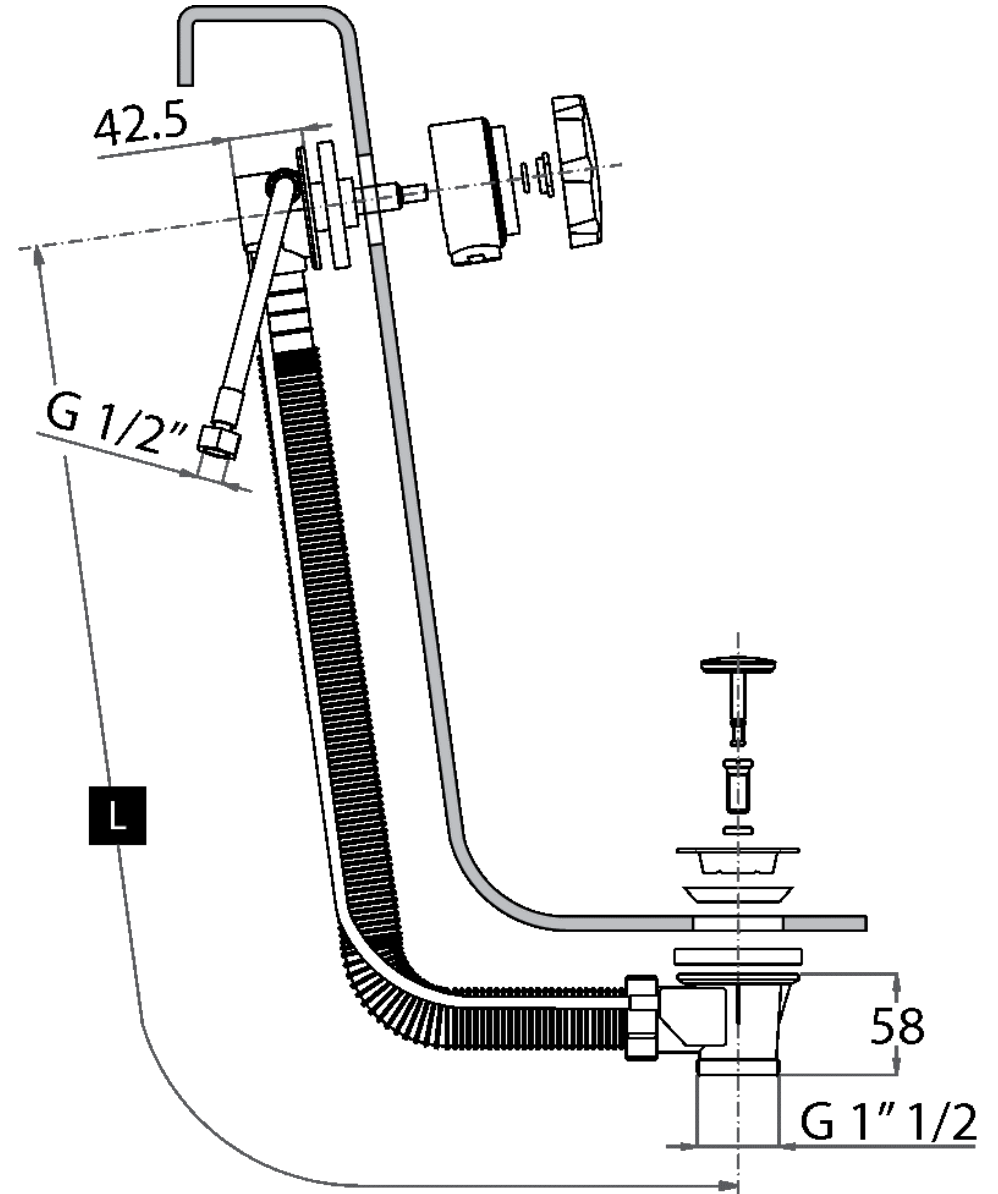
9, Cut any excess tube and fit into waste body using washer and nut provided.



OPTIONAL

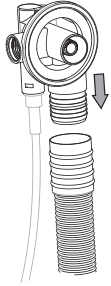


Line Drawing

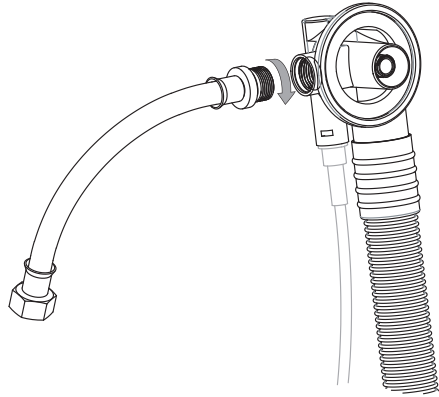


Installation of overflow

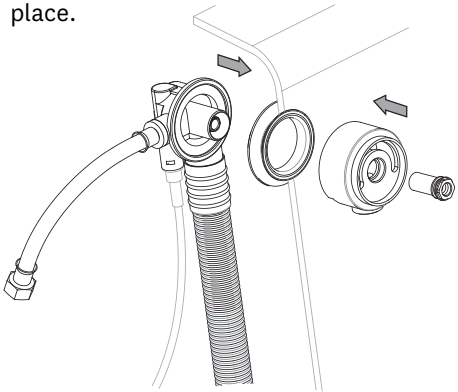
1, Connect flexible tube to outlet.



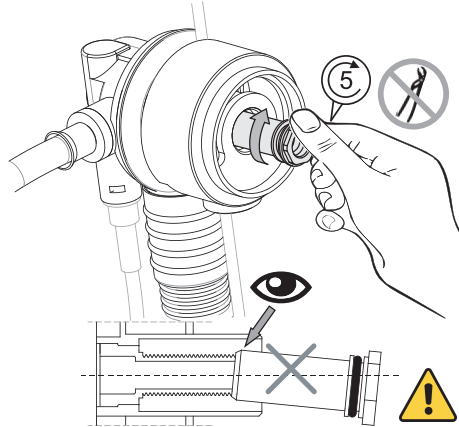
2, Connect flexible connector to elbows.



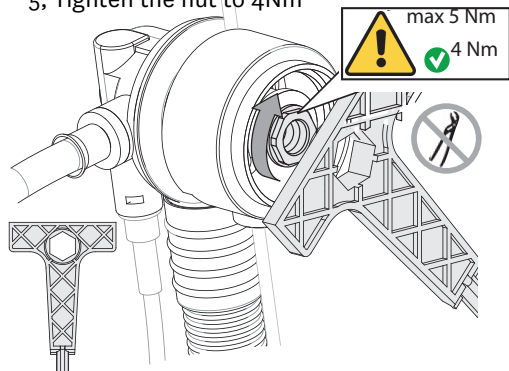
3, Fit the overflow waste body to the bath ensuring overflow washer is in place.



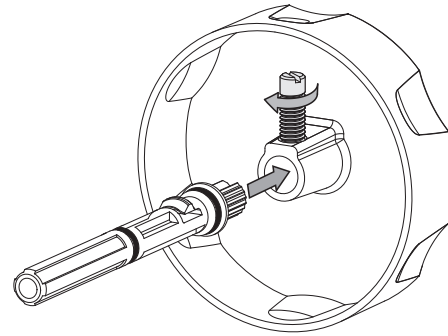
4, Turn the filter retaining nut clockwise, to secure in place.



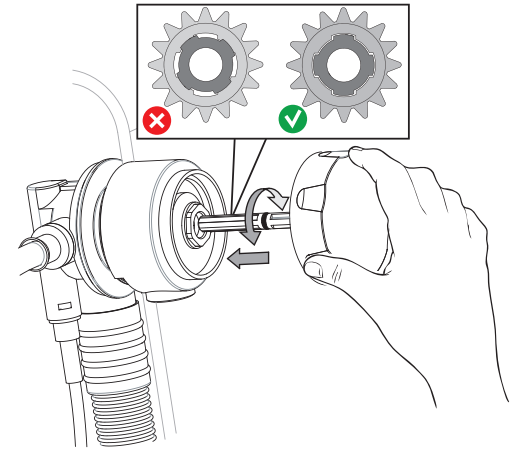
5, Tighten the nut to 4Nm



6, Fasten the .. to the rear of the handle, tight and secure into place with allen key.



7, Place handle and fixing through the hole in overflow waste body.



8, Click into place

