

VJET™ HANDSET

Installation Guide

Technical Specifications:

Operating Pressure:

Min: 100kPa/1bar

Max: 500kPa/5bar*

Optimum: 150kPa/1.5bar - 500kPa/5bar

Operating Temperature:

Hot: Max 65°C*

Cold: Min 5°C

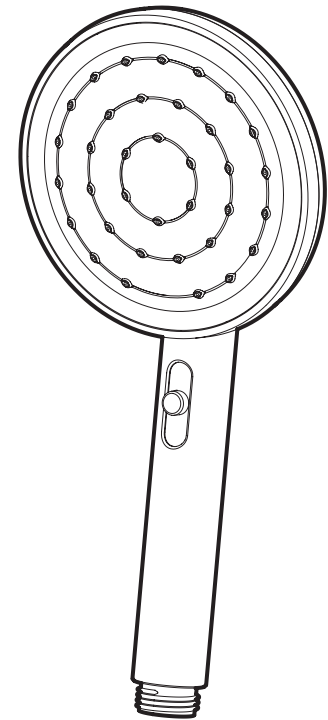
Inlet Connections:

½" BSP

** Regional specific regulations apply.*

Please refer to your warranty statement at

www.methven.com



Methven warrants this product against manufacturing defects and that it is suitable for use under the general operating conditions specified in this instruction sheet. However, regional regulations apply and may affect your warranty. Please refer to **www.methven.com** or call customer service for full details.

New Zealand
0800 804 222

Australia
1300 638 483

UK
0800 195 1602

439990

ISSUE A

METHVEN
www.methven.com

IMPORTANT: Please read all of the instructions before installation.

General:

- Methven recommends this product is installed by a licensed plumber in compliance with all relevant regional regulations.
- All outlets used primarily for personal hygiene are required to deliver water at a safe temperature as per regional regulations.
- Some low flow showers may not be suitable for use with gravity-fed water heaters, low pressure supply networks, instantaneous water heaters, tempering valves and thermostatic mixing valves.

Caution:

- The small droplets formed by the fine spray will lose heat more quickly than the constant stream of the conventional spray. Care should be taken when changing from a fine spray to the conventional spray as a temperature increase will occur.
- This product is manufactured using stainless steel. Care should be taken when using the shower as damage to surroundings may occur if the product is dropped.
- This product is designed to be used with a flow restrictor. Removal of the flow restrictor is not recommended and may shorten the life of the product.

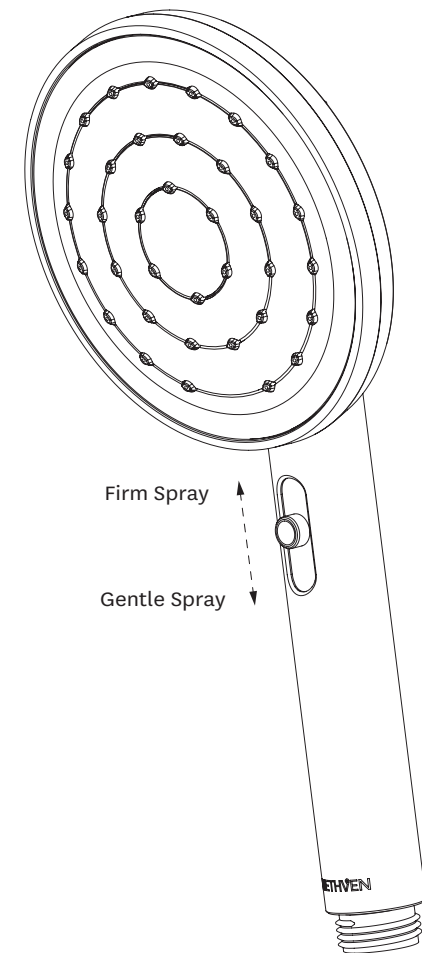
Care and Cleaning:

- Run hot water through shower for 2 minutes before first use.
- Never use abrasives or abrasive cleaning agents to clean this product. Clean regularly with contamination free warm soapy water and a damp soft cloth.
- Clean faceplate using a brush with soft bristles. Do not use any sharp objects to clean nozzles.
- A filter washer should be installed in the hose cone on the water outlet and it should be cleaned periodically.
- Limescale deposits can be prevented from forming on the product by wiping dry immediately after use.
- If nozzles become blocked by limescale, use a finger to flex the nozzles whilst the shower is running to break away limescale deposits. If shower performance continues to be compromised by the build-up of limescale, soak in limescale remover for up to 10 minutes. Do not attempt to remove limescale with sharp objects or abrasives. Do not use products containing chlorine bleach or hydrochloric acid as these can damage the shower. Always rinse the shower thoroughly in clean water after cleaning to remove cleaning products that can damage the shower and wipe dry.

Operation:

- VJet™ allows the user to vary the shower experience anywhere from a conventional needle jet spray to a fine spray.
- Slide the button on the shower up to achieve a firmer, more conventional spray. Slide the button down to make a gentler, finer spray.
- The button can be positioned anywhere to deliver a spray to suit your showering preference.

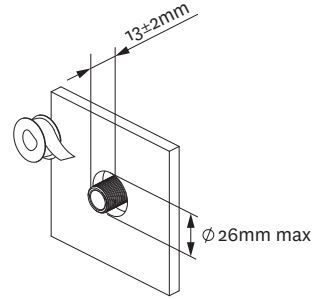
Note: It is normal for water to drain from the shower head for a short period after the shower is turned off.



Elbow Installation (if supplied):

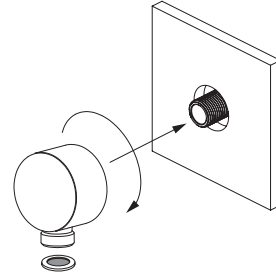
Step 1

- Wall lining hole should be cut or finished as per the dimension shown in the diagram on the right.
- Cut off the threaded nipple $13\pm 2\text{mm}$ from the wall lining and apply thread seal tape to ensure a good seal.



Step 2

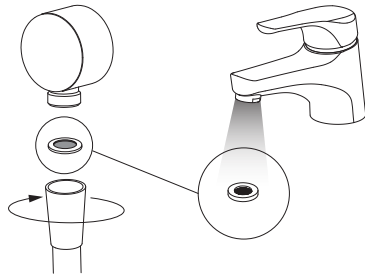
- Screw the elbow onto the nipple ensuring that the o-ring is sufficiently compressed to create a watertight seal.
- Ensure that the elbow is oriented vertically with the outlet oriented downwards.



Care and Cleaning:

Never use abrasives or abrasive cleaning agents to clean this product. Clean regularly with contamination free warm soapy water and a damp soft cloth.

Periodically the filter washer should be removed from the end of the shower hose and cleaned.



Methven warrants this product against manufacturing defects and that it is suitable for use under the general operating conditions specified in this instruction sheet. However, regional regulations apply and may affect your warranty. Please refer to www.methven.com or call customer service for full details.

New Zealand
0800 804 222

Australia
1300 638 483

UK
0800 195 1602

439995

ISSUE A

ROUND RAIL 800mm Installation Guide

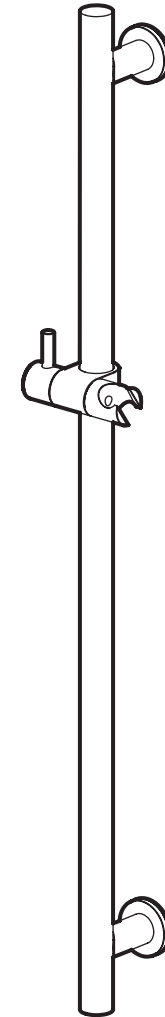
Technical Specifications:

Inlet Connections:

All $\frac{1}{2}$ " BSP

** Regional specific regulations apply.*

Please refer to your warranty statement at
www.methven.com

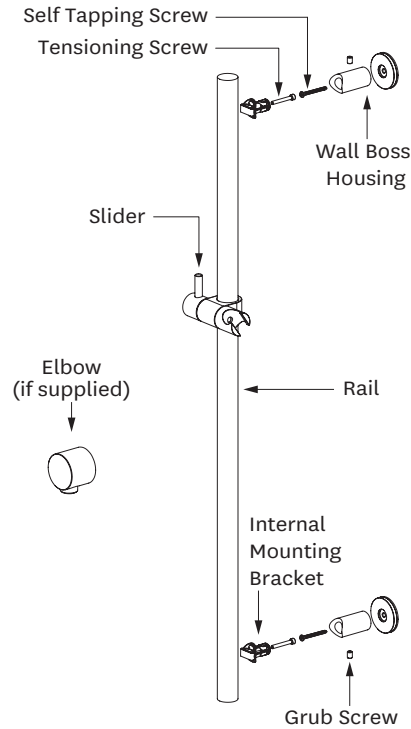


METHVEN
www.methven.com

IMPORTANT: Please read all of the instructions before installation.

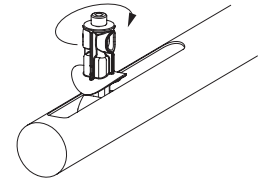
General:

- This product must be installed in compliance with all relevant regional regulations.
- It is the responsibility of the installer to ensure a waterproof seal is achieved between the product and mounting surface. If in doubt about the quality of the seal, remove the product and reinstall using silicone to ensure a seal is achieved.
- All pipe work must be thoroughly flushed prior to the installation of the hose.
- After installation all connections must be checked for leaks.
- All outlets used primarily for personal hygiene shall deliver water at a safe temperature as per regional regulations.



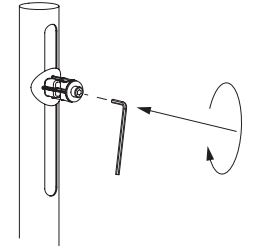
Step 2

- Fit the internal mounting brackets by locating in slot and rotating 90°.



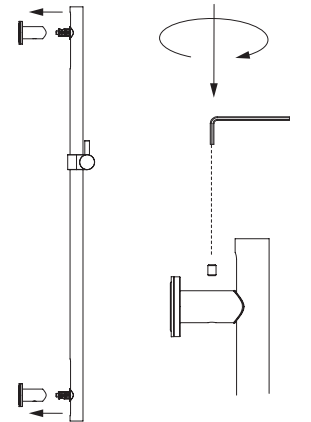
Step 3

- Tighten the tensioning screws lightly with the hex key provided.



Step 4

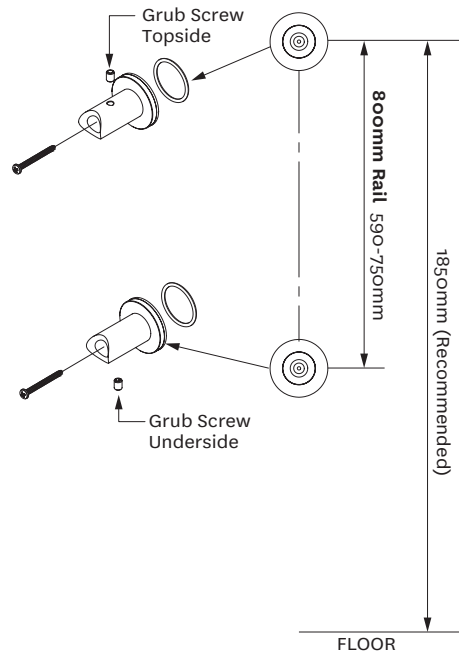
- Match the mounting brackets to wall bosses and push into place.
- Slide the rail up or down to centralise the brackets.
- Remove the rail and tighten the tensioning screws firmly.
- Relocate the rail onto wall bosses and tighten grub screws top and bottom.



Step 1

- Mount the wall boss housings in desired position with the screws. Check the mounts are vertically aligned. Ensure the grub screws are located on the correct sides as shown.

Ensure o-rings are used between wall bosses and tiles.



Step 5

- To adjust slider position, rotate the slider handle to unlock and lock the slider as shown.

