

## Warranty Information

Proof of purchase will be required.

The guarantee does not cover faults or damage caused by incorrect installation and/or maintenance, ordinary wear and tear, water composition, etc.

\*Please see [www.methven.com](http://www.methven.com) for full terms and conditions of warranty

## Cleaning

Your product has a high-quality finish and should be treated with care to preserve the visible surfaces. Never use abrasives or abrasive cleaning agents to clean this product clean regularly with contamination free warm water and a damp soft cloth. Do not use products containing chlorine bleach or hydrochloric acid as these can damage the product.

We have a policy of continuous improvement and reserve the right to change specifications without notice.

METHVEN UK LIMITED  
METHVEN EXPERIENCE CENTRE  
3/3A STONE CROSS COURT  
YEW TREE WAY  
GOLBORNE  
WARRINGTON  
WA3 3JD  
UNITED KINGDOM  
INST-WSP01CP/WSP01BK  
19/12/2023

TEL: 0800 195 1602  
FAX: 0844 406 8690  
EMAIL: [sales@uk.methven.com](mailto:sales@uk.methven.com)  
[www.deva-uk.com](http://www.deva-uk.com)  
[www.methven.com](http://www.methven.com)

## WSP01CP/WSP01BK Wall Mounted 197mm Spout Installation Guide

---

### Technical Specification

#### Operating Pressure

Min: 0.1 Bar

Max: 5.0 Bar

#### Operating Temperature

Hot: 65°C

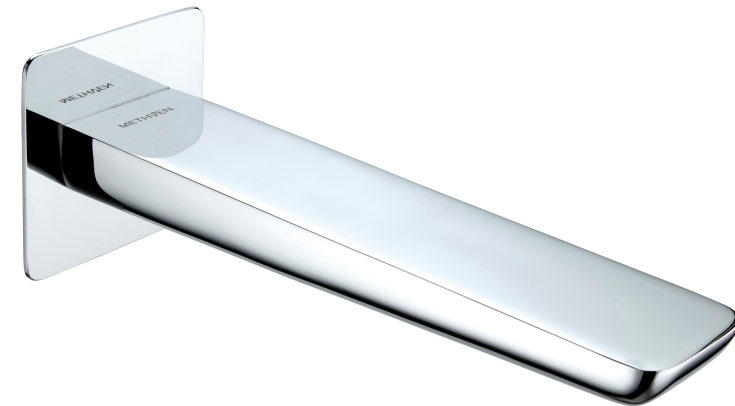
Cold: 5°C

#### Inlet Connections

1/2" BSP

#### Features

- Durable Brass Body Construction
- 197mm Spout



**METHVEN**  
[www.methven.com](http://www.methven.com) EST 1886

Please read all of the instructions before installation.

### General

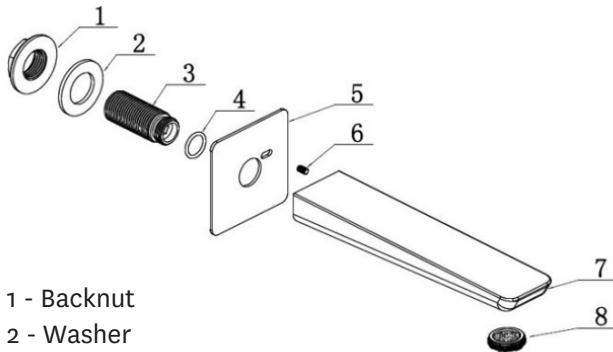
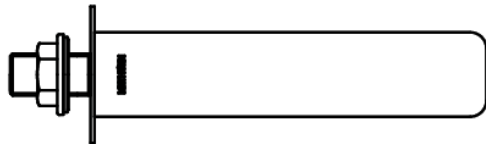
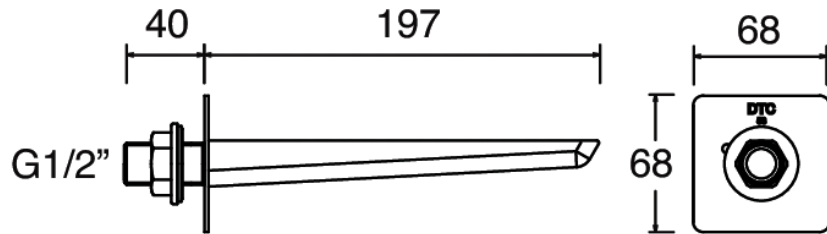
Methven recommends this product is installed by a competent person in compliance with all relevant regional regulations.

After installation all connections must be checked for leaks.

All outlets used primarily for personal hygiene shall deliver water at a safe temperature as per regional regulations.

It is the responsibility of the installer to ensure a waterproof seal is achieved.

### Line Drawing

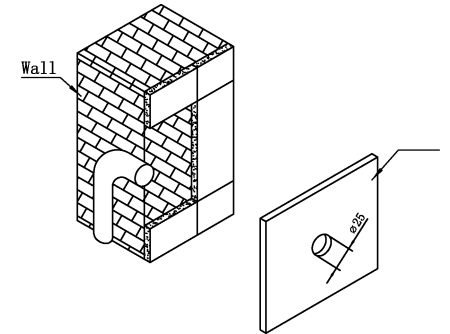


- 1 - Backnut
- 2 - Washer
- 3 - Connector
- 4 - O-Ring
- 5 - Panel
- 6 - Screw
- 7 - Spout
- 8 - Aerator

**IMPORTANT:** Before you begin, turn off the water supply.

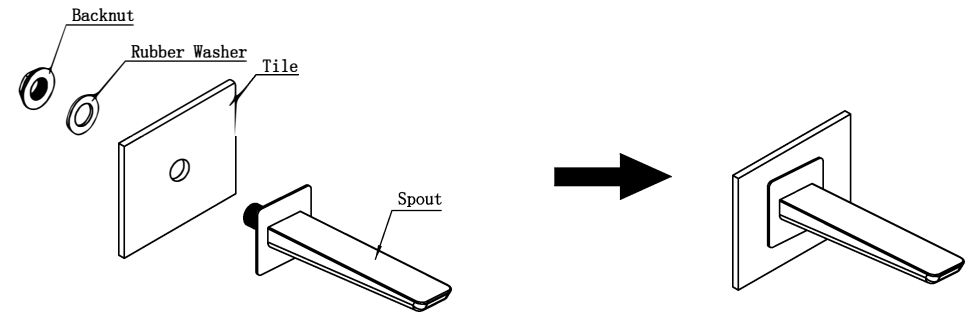
### Step 1

- Identify the position for the installation of the spout.
- Make a hole with 25mm diameter on the tile.



### Step 2

- Insert the threaded part of the spout through the tile.
- Then add the rubber washer and secure the spout using the backnut.



### Step 3

- Connect the threaded part of the spout with the water supply, turn on the water supply to check if there is any leakage. Put the tile back on the wall.

