



Cross Handle

Cross Handle Basin Taps

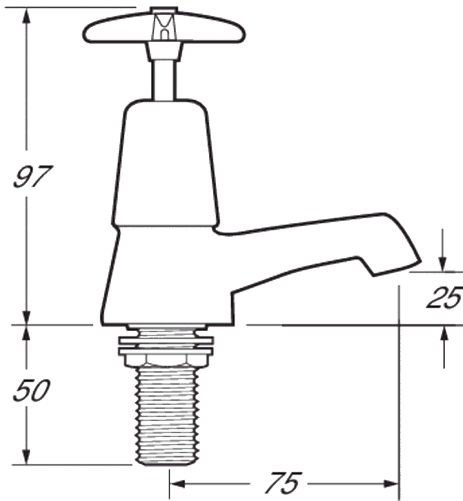
Product Code: 181X

Finish: Chrome

Features

- Construction:** Brass
- Valve/Cartridge type:** Non-rising Spindle Headworks
- Supply:** Suitable For Low Pressure Systems
- Working Pressures:** 0.1 - 5.0 bar
- Inlet connections:** 1/2" BSP
- Flexi or Copper:** N/A

· Additional Set Of Red & Blue Indices Included



*Please refer to website for full warranty details.

Flow (Bar - l/min, open outlet)

Spout

Flow 0.1	Flow 0.3	Flow 0.5	Flow 1.0	Flow 2.0	Flow 3.0	Flow 4.0	Flow 5.0
7.1	11.1	14.8	21.4	30.8	37.9	44	49.3



2009735



2106801

