



Adore

Adore Basin Mixer

Product Code: ADORE113

Finish: Chrome

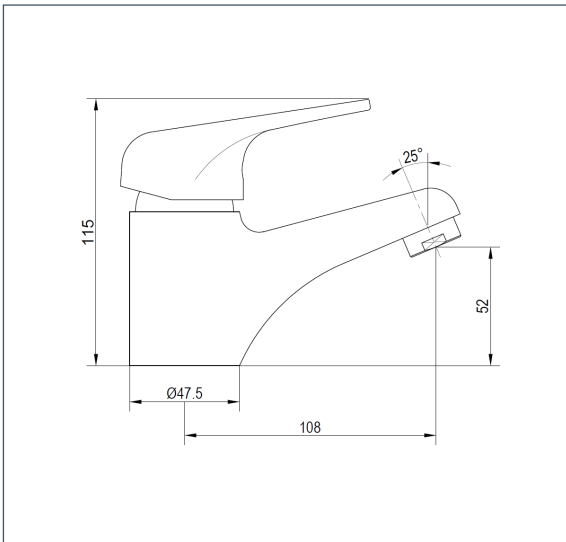
Features

- Construction:** Brass
- Valve/Cartridge type:** 40mm Ceramic Cartridge
- Supply:** Suitable For Low Pressure Systems
- Working Pressures:** 0.1 - 5.0 bar
- Inlet connections:** 1/2" BSP
- Flexi or Copper:** Flexi Tails - M12 - 300mm

- Ceramic Cartridge For Smooth Operation And Longer Life
- Tilt And Turn Temperature And Flow Control
- Comes Complete With Press Top Waste
- Products Which Are Easy To Use By All The Family



*Please refer to website for full warranty details.



Flow (Bar - l/min, open outlet)

Spout

Flow 0.1	Flow 0.3	Flow 0.5	Flow 1.0	Flow 2.0	Flow 3.0	Flow 4.0	Flow 5.0
5.1	7.7	10.2	14.7	21.1	25.9	30	33.6



2003759



2004312

