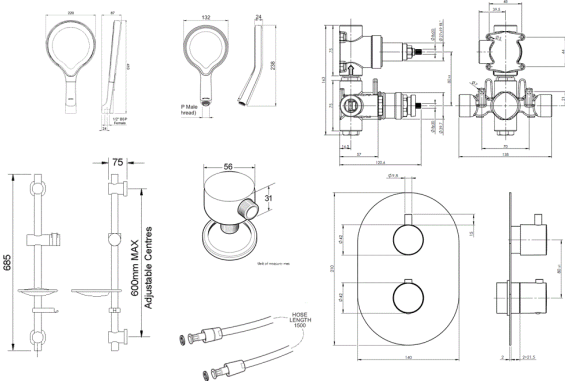


AIO CONCEALED SHOWER PACK



CONSTRUCTION: Brass & ABS Handset

CARTRIDGE/VALVE TYPE: Thermostatic

SUPPLY: Suitable For High Pressure Systems

INLET CONNECTIONS: 1/2" BSP

WORKING PRESSURES: 1.0 - 5.0 bar

OPERATION: Separate Flow And Temperature Controls

- Diverter Cartridge To Two Outlets
- 38°C Temperature Hot Stop With Override Facility
- Riser Rail Features Easy Fit Adjustable Brackets- Simply Twist & Lock Into Place
- Ideal For Retrofit - Using Existing Shower Rail Holes
- Smooth Easy Clean 1.5M Shower Hose
- Handset Fitted With 8 L/Min Flow Regulator
- Overhead Fitted With 12 L/Min Flow Regulator
- TMV2 Approved Valve

AOCSP

Open Outlet Flow (Bar - l/min)

BAR	0.3	0.5	1.0	2.0	3.0	4.0	5.0
HANDSET FLOW	4.8	6.3	8	7.7	8.2	0	0
OVERHEAD FLOW	5.5	7.2	9.9	11.4	11.6	11.6	11.1

Chrome



Please Note: Flow rate will be dictated by installation configurations.
Please ensure to check the appropriate flow restrictor information if applicable.
*Please refer to website for full warranty details.



2201736

FREEPHONE: 0800 195 1602 | FAX ORDERS: 08444 068 690 | EMAIL: SALES@UK.METHVEN.COM

methven.com

THE INFORMATION ON THIS SPECIFICATION DOCUMENT WAS CORRECT AT THE DATE OF ISSUE. SOME VARIATION MAY OCCUR DUE TO THE MANUFACTURING TOLERANCES AND SITE SPECIFIC CONDITIONS.