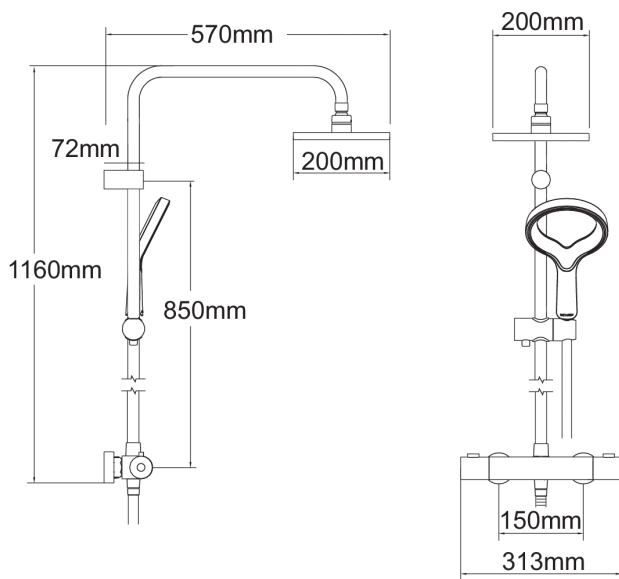


AIO COOL TOUCH DIVERTER SHOWER FEATURING AURAJET



CONSTRUCTION: Brass & ABS
CARTRIDGE/VALVE TYPE: Thermostatic
SUPPLY: Suitable For High Pressure Systems
INLET CONNECTIONS: 15mm Compression
WORKING PRESSURES: 1.5 - 5.0 bar
OPERATION: Separate Flow And Temperature Controls

- Limescale Resistant Handset - Hydrophobic Properties Resists The Build Up Of Limescale
- Safe Cool To Touch Body
- 38°C Temperature Hot Stop With Override Facility
- Eco Flow Control With Override Facility
- Includes Easy Fit Connections
- Smooth Easy Clean 1.5M Hose
- Fixed Head And Aurajet Handset Both Supplied With 8 L/Min Flow Regulator

AOKCTSDEF

Open Outlet Flow (Bar - l/min)

BAR	0.3	0.5	1.0	2.0	3.0	4.0	5.0
HANDSET FLOW	4.8	6.3	8	7.7	8.2	0	0
OVERHEAD FLOW	2.5	4.2	6.8	10.2	12.7	14.9	16.8

Chrome



2201736



2204348



2201736

Please Note: Flow rate will be dictated by installation configurations.
 Please ensure to check the appropriate flow restrictor information if applicable.
 *Please refer to website for full warranty details.

FREEPHONE: 0800 195 1602 | FAX ORDERS: 08444 068 690 | EMAIL: SALES@UK.METHVEN.COM

methven.com