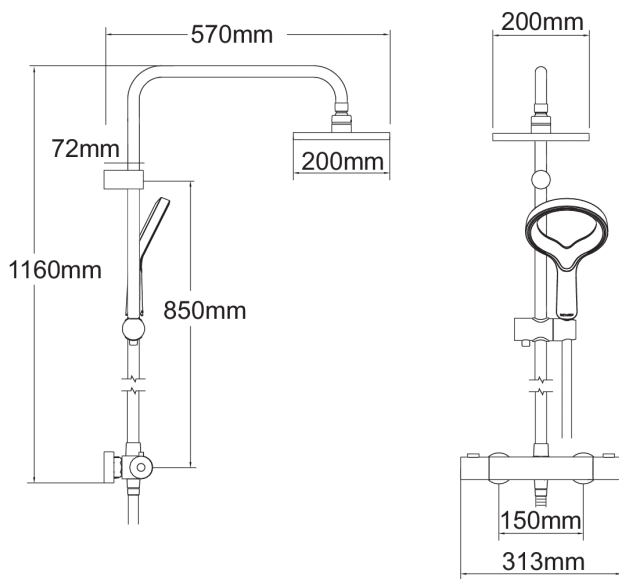


AIO COOL TOUCH DIVERTER SHOWER



CONSTRUCTION: Brass & ABS
CARTRIDGE/VALVE TYPE: Thermostatic
SUPPLY: Suitable For High Pressure Systems
INLET CONNECTIONS: 15mm Compression
WORKING PRESSURES: 1.0 - 5.0 bar
OPERATION: Separate Flow And Temperature Controls

- Limescale resistant handset - hydrophobic properties resists the build up of limescale
- Safe cool to touch body
- 38°C temperature hot stop with override facility
- Includes easy fit connections
- Double interlocked and antiwisted metal hose
- Aurajet handset supplied with 8 l/min flow regulator

AOKCTSDEFMH

Chrome

Open Outlet Flow (Bar - l/min)

BAR	0.1	0.3	0.5	1.0	2.0	3.0	4.0	5.0
HANDSET FLOW	0.9	2	3	4.5	6.6	8	7.8	8.2
OVERHEAD FLOW	1.1	2.5	3.6	5.5	8.1	10.1	11.8	13.3



Please Note: Flow rate will be dictated by installation configurations.
 Please ensure to check the appropriate flow restrictor information if applicable.
 *Please refer to website for full warranty details.



2201736

FREEPHONE: 0800 195 1602 | FAX ORDERS: 08444 068 690 | EMAIL: SALES@UK.METHVEN.COM

methven.com

THE INFORMATION ON THIS SPECIFICATION DOCUMENT WAS CORRECT AT THE DATE OF ISSUE. SOME VARIATION MAY OCCUR DUE TO THE MANUFACTURING TOLERANCES AND SITE SPECIFIC CONDITIONS.