



Waste

Slimline Bath Filler and Press Top Waste

Product Code: BFW001

Finish: Chrome

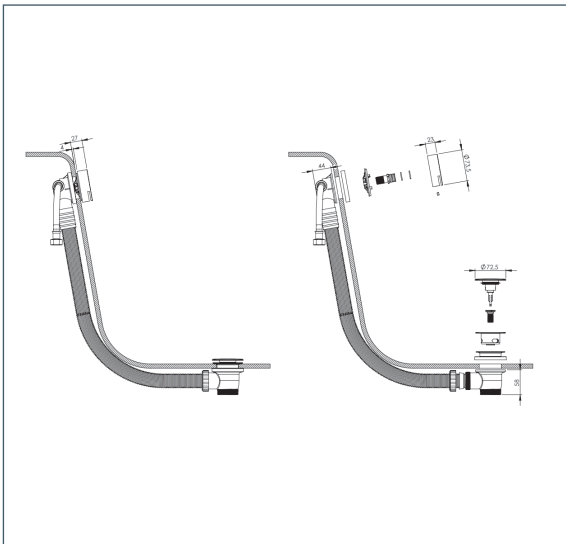
Features

- Construction:** Brass
- Valve/Cartridge type:** N/A
- Supply:** Suitable For Low Pressure Systems
- Working Pressures:** 0.1 - 5.0 bar
- Inlet connections:** 1 1/2" BSP
- Flexi or Copper:** N/A

- Slim 23mm Overflow Filler
- 72mm Dome Style Bath Waste
- Suitable for standard or freestanding baths
- Flexible Overflow Pipe
- Click Clack Press Top Waste Mechanism



*Please refer to website for full warranty details.



Flow (Bar - l/min, open outlet)

Spout

Flow 0.1	Flow 0.3	Flow 0.5	Flow 1.0	Flow 2.0	Flow 3.0	Flow 4.0	Flow 5.0
7.3	11.1	14.6	21.1	30.2	37.2	45.1	50.4



241002090

