



Lever

Lever Action Bath Taps

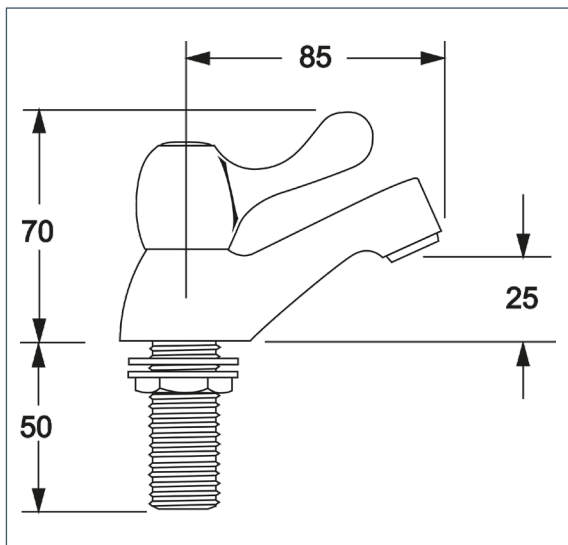
Product Code: CNTL02

Finish: Chrome

Features

- Construction:** Brass
- Valve/Cartridge type:** ¼ Turn Ceramic Disc
- Supply:** Suitable For Low Pressure Systems
- Working Pressures:** 0.1 - 5.0 bar
- Inlet connections:** ¾" BSP
- Flexi or Copper:** N/A

- 1/4 Turn Ceramic Handles Ensure A Smooth Operation
- Products Which Are Easy To Use By All The Family



Flow (Bar - l/min, open outlet)

Spout

Flow 0.1	Flow 0.3	Flow 0.5	Flow 1.0	Flow 2.0	Flow 3.0	Flow 4.0	Flow 5.0
5	7.8	10.5	15.3	21.7	26.5	30.6	34.2



2005713



2005313

