



Non Concussive

Self Closing Basin Tap - Single

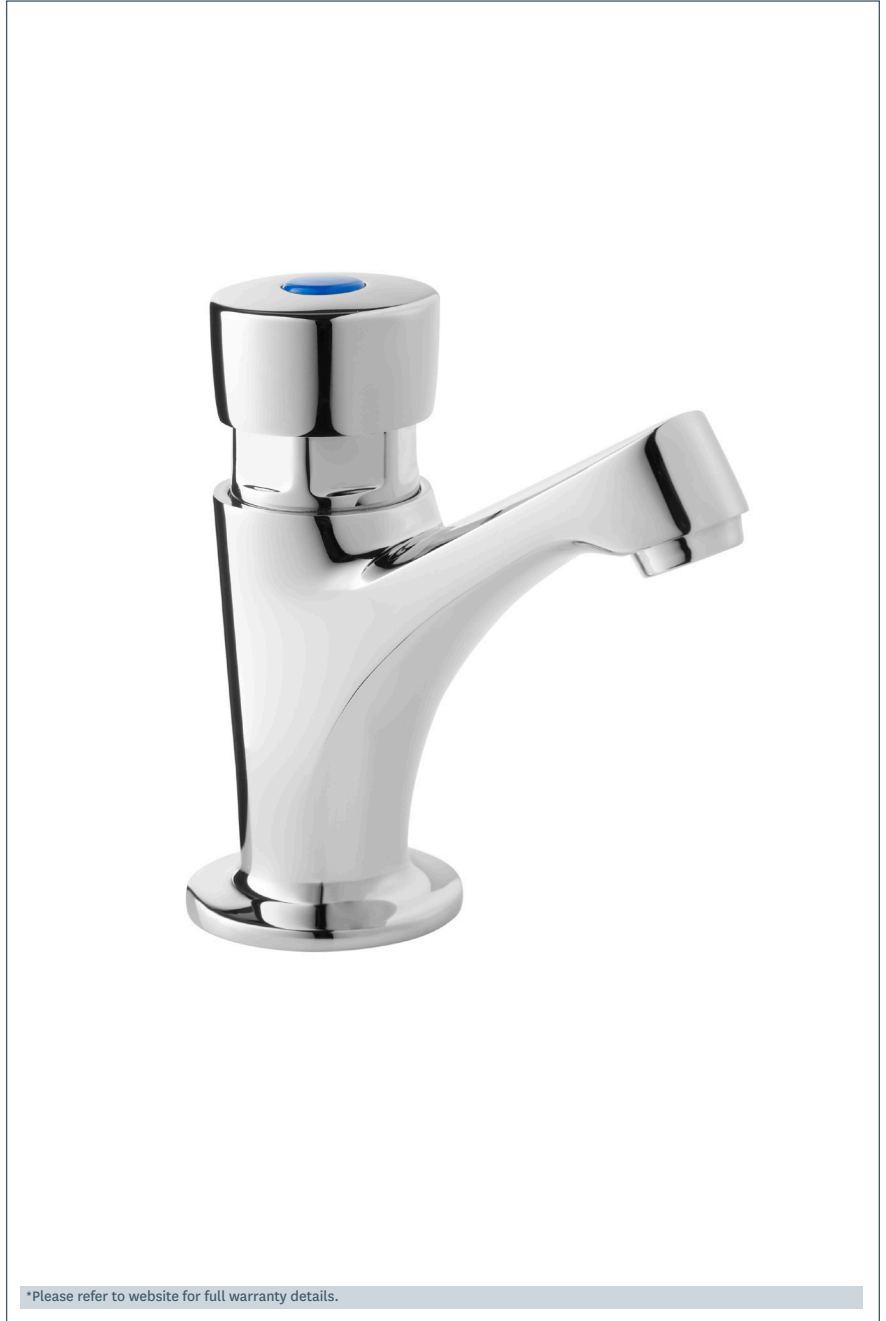
Product Code: CORM03

Finish: Chrome

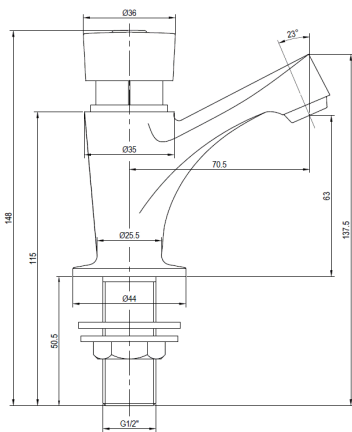
Features

- Construction:** Brass
- Valve/Cartridge type:** Self closing
- Supply:** Suitable For Low Pressure Systems
- Working Pressures:** 0.1 - 3.0 bar
- Inlet connections:** 1/2" BSP
- Flexi or Copper:** N/A

- Self Closing Basin Tap
- Pre-Set Automatic Shut Off After Approximately 10 Seconds
- Recommended For Use With A Blending Valve
- Products Which Are Easy To Use By All The Family
- Additional Set Of Hot & Cold Indices Supplied
- Sold As Singles



*Please refer to website for full warranty details.



Flow (Bar - l/min, open outlet)

Spout

Flow 0.1	Flow 0.3	Flow 0.5	Flow 1.0	Flow 2.0	Flow 3.0	Flow 4.0	Flow 5.0
0	4.5	5.5	8.3	12.2	12.4	0	0



2110717



2109362

