



Coronation

Coronation Basin Mixer & Pop Up Waste - Gold

Product Code: CR24/501

Finish: Gold

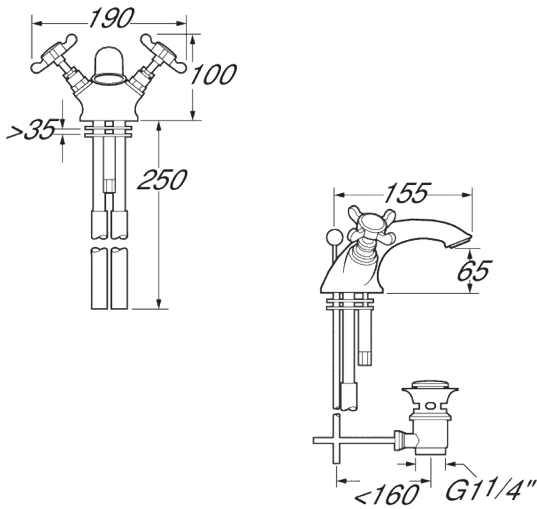
Features

- Construction:** Brass
- Valve/Cartridge type:** Standard
- Supply:** Suitable For Low Pressure Systems
- Working Pressures:** 0.1 - 5.0 bar
- Inlet connections:** 15mm Copper
- Flexi or Copper:** Copper Tails

· Comes Complete With A Lever Operated Pop Up Waste



*Please refer to website for full warranty details.



Flow (Bar - l/min, open outlet)

Spout

Flow 0.1	Flow 0.3	Flow 0.5	Flow 1.0	Flow 2.0	Flow 3.0	Flow 4.0	Flow 5.0
4.8	7.4	9.9	14.4	20.7	25.5	29.6	33.2

