



Coronation

Coronation High Neck Sink Taps

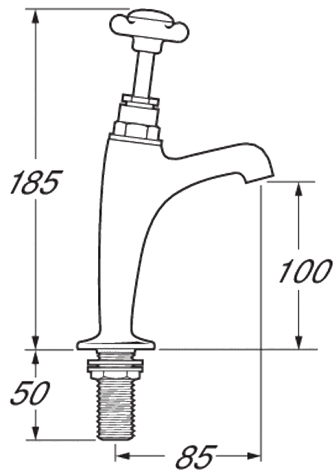
Product Code: CR27A

Finish: Chrome

Features

- Construction:** Brass & Resin
- Valve/Cartridge type:** Standard
- Supply:** Suitable For Low Pressure Systems
- Working Pressures:** 0.1 - 5.0 bar
- Inlet connections:** 1/2" BSP
- Flexi or Copper:** N/A

· 1/2" Bs1010



*Please refer to website for full warranty details.

Flow (Bar - l/min, open outlet)

Spout

Flow 0.1	Flow 0.3	Flow 0.5	Flow 1.0	Flow 2.0	Flow 3.0	Flow 4.0	Flow 5.0
5.6	8.6	11.3	16.4	23.4	28.8	33.4	37.3



2003769



2005356

