



Profile

Profile Sink Taps Spec Version

Product Code: DCM SPEC103

Finish: Chrome

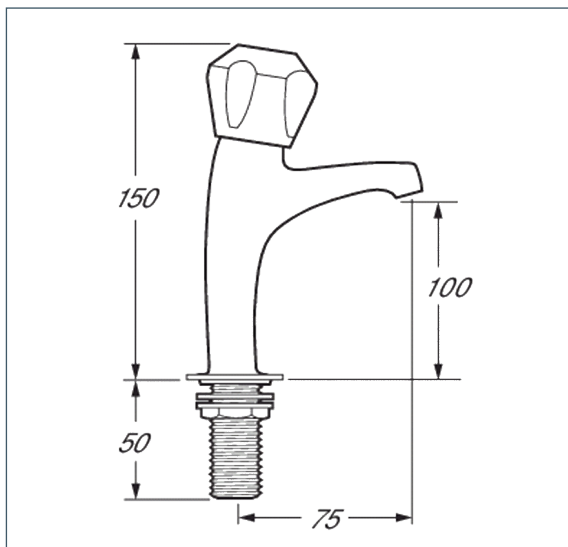
Features

- Construction:** Brass
- Valve/Cartridge type:** Standard
- Supply:** Suitable For Low Pressure Systems
- Working Pressures:** 0.1 - 5.0 bar
- Inlet connections:** 1/2" BSP
- Flexi or Copper:** N/A

· Metal Backnuts



*Please refer to website for full warranty details.



Flow (Bar - l/min, open outlet)

Spout

Flow 0.1	Flow 0.3	Flow 0.5	Flow 1.0	Flow 2.0	Flow 3.0	Flow 4.0	Flow 5.0
5.3	8.6	11.7	17.1	24.5	30.1	34.9	39.1



2206374

