



# Profile

Profile Mono Sink Mixer

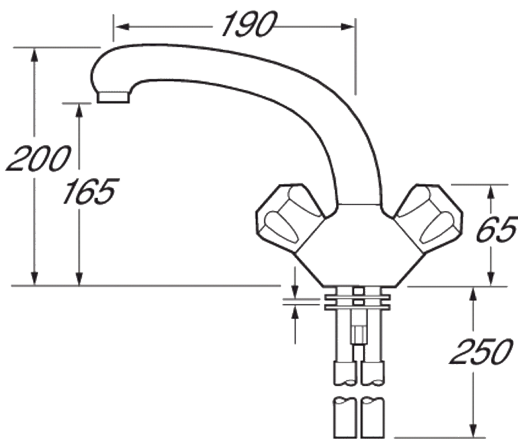
Product Code: DCM104

Finish: Chrome

## Features

- Construction:** Brass
- Valve/Cartridge type:** Standard
- Supply:** Suitable For Low Pressure Systems
- Working Pressures:** 0.1 - 5.0 bar
- Inlet connections:** 15mm Copper
- Flexi or Copper:** Copper Tails

- Swivel Spout
- Dual Flow



\*Please refer to website for full warranty details.

## Flow (Bar - l/min, open outlet)

### Spout

Flow 0.1	Flow 0.3	Flow 0.5	Flow 1.0	Flow 2.0	Flow 3.0	Flow 4.0	Flow 5.0
9.7	15	20.2	29.4	42.5	52.6	61.1	68.3



2005717



2005348

