



Profile

Profile Basin Mixer & Pop Up Waste - Gold

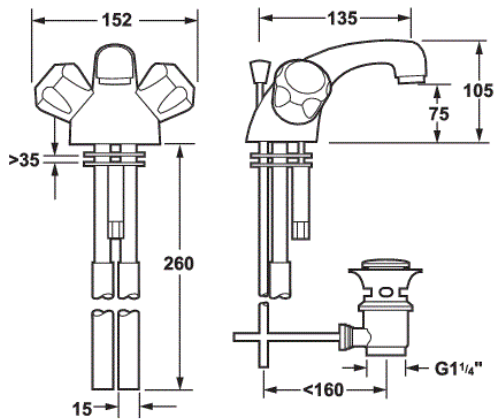
Product Code: DCM113/501

Finish: Gold

Features

- Construction:** Brass
- Valve/Cartridge type:** Standard
- Supply:** Suitable For Low Pressure Systems
- Working Pressures:** 0.1 - 5.0 bar
- Inlet connections:** 15mm Copper
- Flexi or Copper:** Copper Tails

· Includes Lever Operated Pop Up Waste



*Please refer to website for full warranty details.

Flow (Bar - l/min, open outlet)

Spout

Flow 0.1	Flow 0.3	Flow 0.5	Flow 1.0	Flow 2.0	Flow 3.0	Flow 4.0	Flow 5.0
7.2	11	14.7	21.4	31	38.1	43.5	47.7



2212347

