



Lever

Lever Action Deck Sink Mixer Spec Version

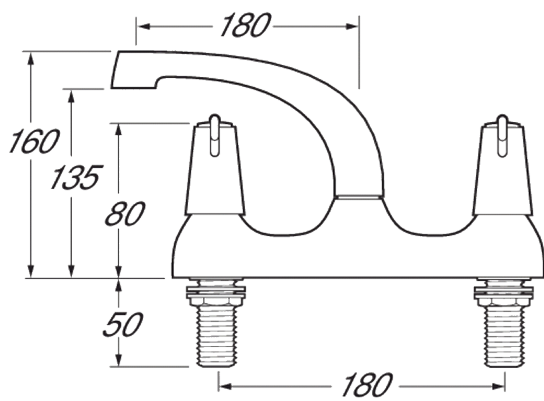
Product Code: DLT SPEC105

Finish: Chrome

Features

- Construction:** Brass
- Valve/Cartridge type:** ¼ Turn Ceramic Disc
- Supply:** Suitable For Low Pressure Systems
- Working Pressures:** 0.1 - 5.0 bar
- Inlet connections:** ½" BSP
- Flexi or Copper:** N/A

- Swivel Spout
- Dual Flow
- Metal Backnuts
- 1/4 Turn Ceramic Disc Handles Ensure A Smooth Operation
- Products Which Are Easy To Use By All The Family



*Please refer to website for full warranty details.

Flow (Bar - l/min, open outlet)

Spout

| Flow 0.1 | Flow 0.3 | Flow 0.5 | Flow 1.0 | Flow 2.0 | Flow 3.0 | Flow 4.0 | Flow 5.0 |
|----------|----------|----------|----------|----------|----------|----------|----------|
| 8.3 | 13.2 | 17.8 | 26 | 37.2 | 45.9 | 53.1 | 59.4 |



1912725



1912311

