



Lever

Lever Action Bib Taps

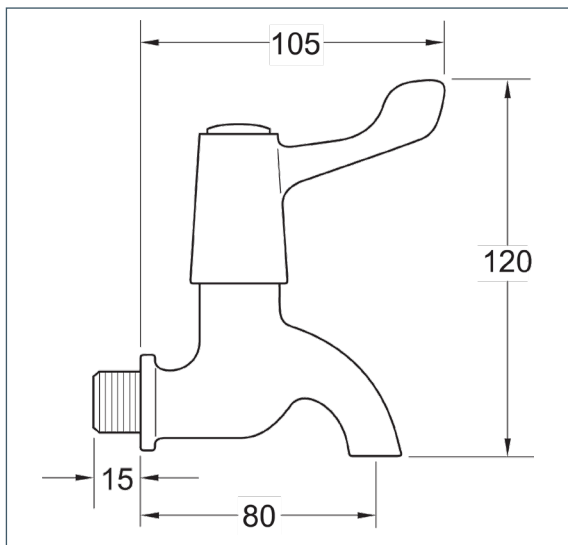
Product Code: DLT095

Finish: Chrome

Features

- Construction:** Brass
- Valve/Cartridge type:** ¼ Turn Ceramic Disc
- Supply:** Suitable For Low Pressure Systems
- Working Pressures:** 0.1 - 5.0 bar
- Inlet connections:** ½" BSP
- Flexi or Copper:** N/A

- 1/4 Turn Ceramic Disc Handles Ensure A Smooth Operation
- Ideal For Commercial Uses Such As Food, Catering Etc
- Hygienic Design
- Products Which Are Easy To Use By All The Family



*Please refer to website for full warranty details.

Flow (Bar - l/min, open outlet)

Spout

Flow 0.1	Flow 0.3	Flow 0.5	Flow 1.0	Flow 2.0	Flow 3.0	Flow 4.0	Flow 5.0
6.4	9.5	12.6	18	25.6	31.1	35.5	39.2



2210709



2305800

