



# Lever

Lever Action Sink Taps

Product Code: DLT103

Finish: Chrome

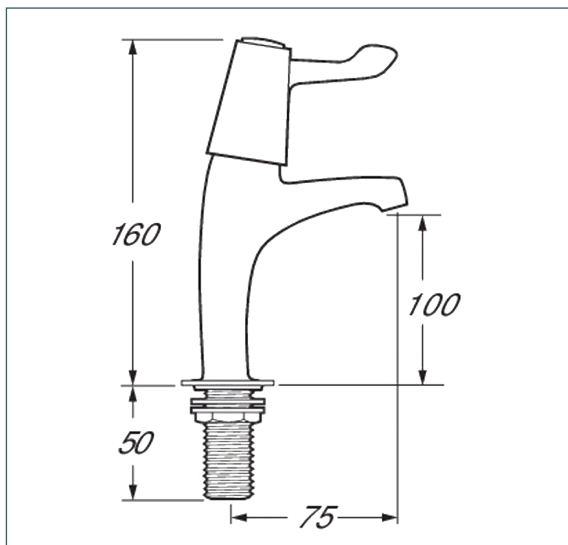
## Features

- Construction:** Brass
- Valve/Cartridge type:** ¼ Turn Ceramic Disc
- Supply:** Suitable For Low Pressure Systems
- Working Pressures:** 0.1 - 5.0 bar
- Inlet connections:** ½" BSP
- Flexi or Copper:** N/A

- 1/4 Turn Ceramic Disc Handles Ensure A Smooth Operation
- Products Which Are Easy To Use By All The Family



\*Please refer to website for full warranty details.



## Flow (Bar - l/min, open outlet)

Spout

Flow 0.1	Flow 0.3	Flow 0.5	Flow 1.0	Flow 2.0	Flow 3.0	Flow 4.0	Flow 5.0
4.7	7.4	10	14.4	20.5	25	29.1	32.5



2003751



2006806

