



Lever

Lever Action Mono Sink Mixer

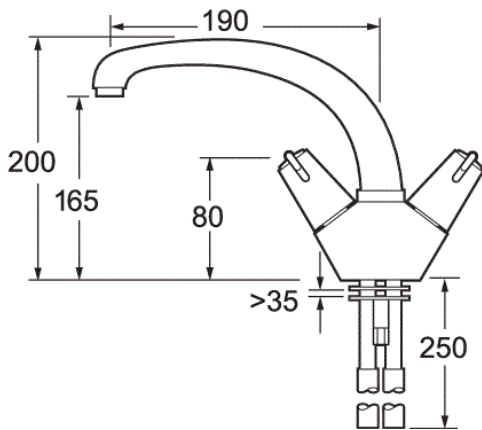
Product Code: DLT104

Finish: Chrome

Features

- Construction:** Brass
- Valve/Cartridge type:** ¼ Turn Ceramic Disc
- Supply:** Suitable For Low Pressure Systems
- Working Pressures:** 0.1 - 5.0 bar
- Inlet connections:** 15mm Copper
- Flexi or Copper:** Copper Tails

- 1/4 Turn Ceramic Disc Handles Ensure A Smooth Operation
- Swivel Spout
- Dual Flow
- Products Which Are Easy To Use By All The Family



*Please refer to website for full warranty details.

Flow (Bar - l/min, open outlet)

Spout

Flow 0.1	Flow 0.3	Flow 0.5	Flow 1.0	Flow 2.0	Flow 3.0	Flow 4.0	Flow 5.0
8.5	12.6	16.6	24.1	34.9	43.2	50.1	56.2



2001323

