



Deva Lever Range

Lever action mono basin mixer with pop up waste

Product Code: DLT113

Finish: Chrome

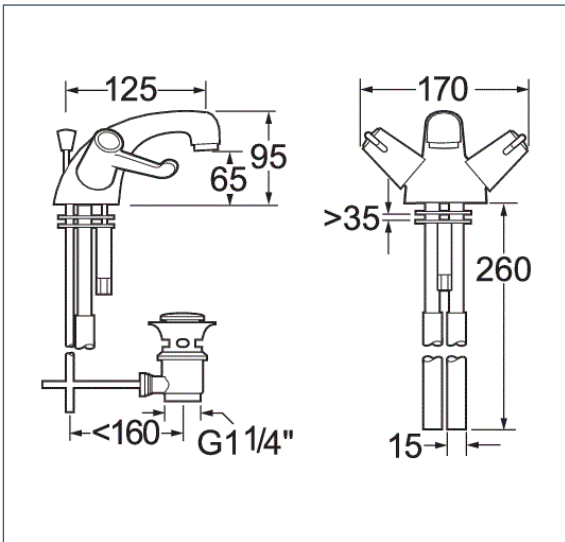
Features

Construction:	Brass
Valve/Cartridge type:	Ceramic Disc
Supply:	Suitable for all plumbing systems
Working Pressures:	0.1 - 5.0 bar
Inlet connections:	15mm Copper
Flexi or Copper:	Copper Tails

- Includes lever operated pop up waste
- 1/4 turn ceramic handles ensure a smooth operation
- Products which are easy to use by all the family



*Please refer to website for full warranty details.



Flow (Bar - l/min, open outlet)

Spout

Flow 0.1	Flow 0.3	Flow 0.5	Flow 1.0	Flow 2.0	Flow 3.0	Flow 4.0	Flow 5.0
4.3	7.7	9.6	12	16	18	25	30

