



Lever

Lever High Spout Deck Sink Mixer

Product Code: DLT172

Finish: Chrome

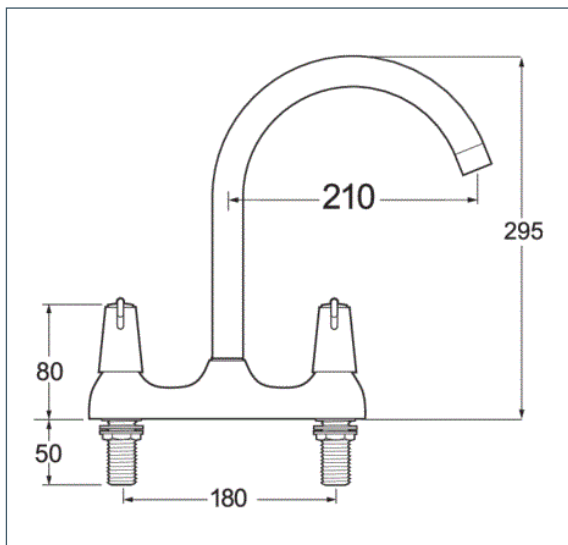
Features

- Construction:** Brass
- Valve/Cartridge type:** Ceramic Disc
- Supply:** Suitable For Low Pressure Systems
- Working Pressures:** 0.1 - 5.0 bar
- Inlet connections:** 1/2" BSP
- Flexi or Copper:** N/A

- Swivel Spout
- 1/4 Turn Ceramic Disc Handles Ensure A Smooth Operation
- Products Which Are Easy To Use By All The Family



*Please refer to website for full warranty details.



Flow (Bar - l/min, open outlet)

Spout

Flow 0.1	Flow 0.3	Flow 0.5	Flow 1.0	Flow 2.0	Flow 3.0	Flow 4.0	Flow 5.0
7.4	11.9	16.6	24.9	35.2	41.4	44.6	45.9

