



Elan

Elan basin taps

Product Code: ELAN101

Finish: Chrome

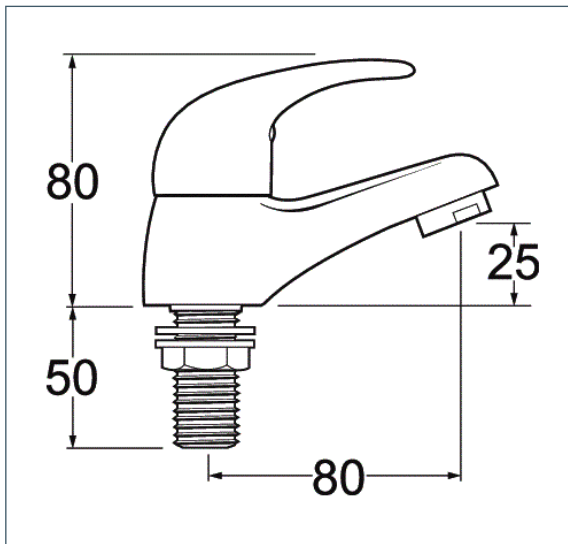
Features

- Construction: Brass
- Valve/Cartridge type: Ceramic Disc
- Supply: Suitable for all plumbing systems
- Working Pressures: 0.2 - 5.0 bar
- Inlet connections: 1/2" BSP
- Flexi or Copper: Plastic Backnuts

· 1/4 turn ceramic handles ensure a smooth operation



*Please refer to website for full warranty details.



Flow (Bar - l/min, open outlet)

Spout

Flow 0.1	Flow 0.3	Flow 0.5	Flow 1.0	Flow 2.0	Flow 3.0	Flow 4.0	Flow 5.0
7	13	16.8	23.6	34.6	43.8		



2006326

