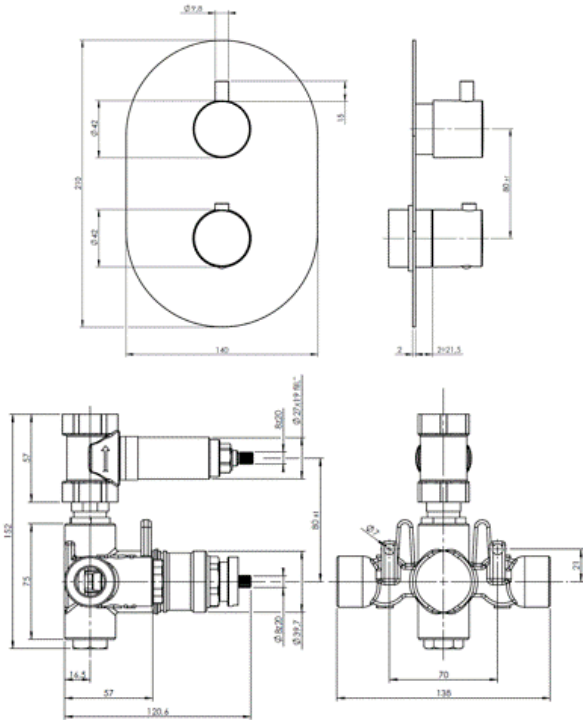


KAHA 1 DIRECTION CONCEALED SHOWER MATTE BLACK



CONSTRUCTION: Brass
CARTRIDGE/VALVE TYPE: Thermostatic
SUPPLY: Suitable For All Plumbing Systems
INLET CONNECTIONS: 1/2" BSP
WORKING PRESSURES: 0.1 - 5.0 bar
OPERATION: Separate Flow And Temperature Controls

- On Trend Matte Black Finish For A Designer Look
- 38°C Temperature Hot Stop With Override Facility
- Brass Concealing Plate
- Front Access Filters - No Need To Disconnect Shower From Water Supply During Maintenance
- Concealed Shower Spindle Extension Available
- Can Be Purchased As Separate Valve And Trims - Valve 2D & Tr Kaha 2D

KAHA-1DBK

Open Outlet Flow (Bar - l/min)

BAR	0.3	0.5	1.0	2.0	3.0	4.0	5.0
FLOW	10.1	13.8	20.6	29.7	36.7	42.8	48.5

Matte Black



2206710

2206329



2201736

Please Note: Flow rate will be dictated by installation configurations.
 Please ensure to check the appropriate flow restrictor information if applicable.
 *Please refer to website for full warranty details.

FREEPHONE: 0800 195 1602 | FAX ORDERS: 08444 068 690 | EMAIL: SALES@UK.METHVEN.COM

methven.com