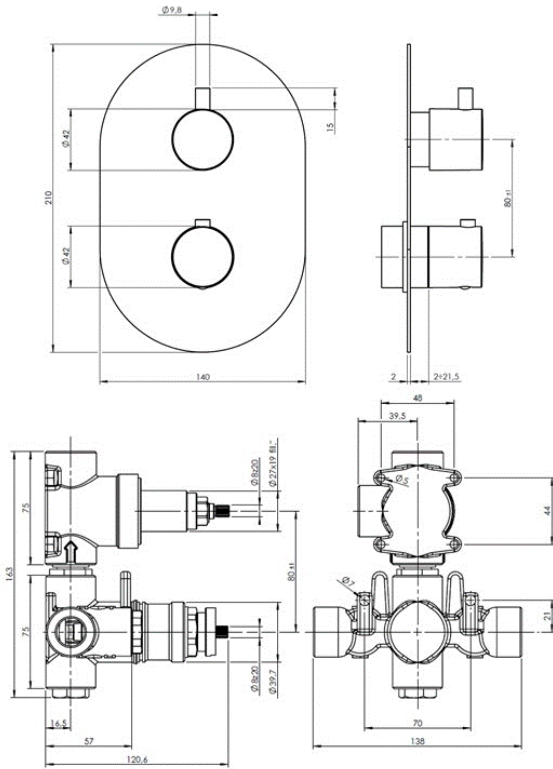


## KAHA TWO OUTLET CONCEALED SHOWER



**CONSTRUCTION:** Brass

**CARTRIDGE/VALVE TYPE:** Thermostatic

**SUPPLY:** Suitable For Low Pressure Systems

**INLET CONNECTIONS:** 1/2" BSP

**WORKING PRESSURES:** 0.2 - 5.0 bar

**OPERATION:** Separate Flow And Temperature Controls

- Diverter Cartridge To Two Outlets
- 38°C Temperature Hot Stop With Override Facility
- Brass Concealing Plate
- Front Access Filters - No Need To Disconnect Shower From Water Supply During Maintenance
- Concealed Shower Spindle Extension Available
- Can Be Purchased As Separate Valve And Trims - Valve 2D & Tr Kaha 2D

### KAHA-2D

#### Open Outlet Flow (Bar - l/min)

BAR	0.1	0.3	0.5	1.0	2.0	3.0	4.0	5.0
FLOW	5.2	11.1	14.7	21.9	31.3	38.5	44.3	50

### Chrome



2305702



2309311



2201736

Please Note: Flow rate will be dictated by installation configurations.  
Please ensure to check the appropriate flow restrictor information if applicable.  
\*Please refer to website for full warranty details.

**FREEPHONE: 0800 195 1602 | FAX ORDERS: 08444 068 690 | EMAIL: SALES@UK.METHVEN.COM**

[methven.com](http://methven.com)

THE INFORMATION ON THIS SPECIFICATION DOCUMENT WAS CORRECT AT THE DATE OF ISSUE. SOME VARIATION MAY OCCUR DUE TO THE MANUFACTURING TOLERANCES AND SITE SPECIFIC CONDITIONS.