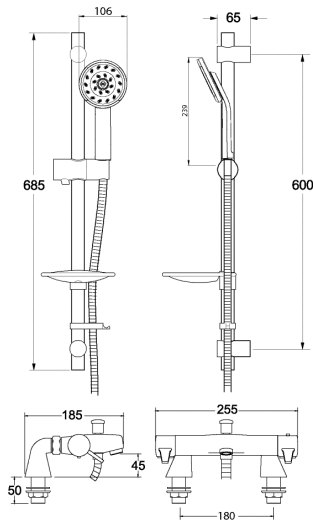


KIRI LEVER THERMOSTATIC PILLAR MOUNTED BSM WITH RAIL KIT



CONSTRUCTION: Brass & ABS

CARTRIDGE/VALVE TYPE: Thermostatic

SUPPLY: Suitable For All Plumbing Systems

INLET CONNECTIONS: 3/4" BSP

WORKING PRESSURES: 0.3 - 5.0 bar

OPERATION: Separate Flow And Temperature Controls

- Thermostatic Valve With 38°C Temperature Stop (With Override)
- Complete With Kiri Satinjet Handset & Wall Bracket
- Supplied With 9 L/Min Flow Regulator
- 2 Metre Hose
- Single Mode Handset
- Products Which Are Easy To Use By All The Family
- TMV2 Approved Valve

KLTV106-2BK

Chrome & Graphite

Open Outlet Flow (Bar - l/min)

BAR	0.3	0.5	1.0	2.0	3.0	4.0	5.0
SPOUT FLOW	7.9	11	15.9	22.8	28	32.5	36.1
HANDSET FLOW	8	10.9	9	9	9	9	9



Please Note: Flow rate will be dictated by installation configurations.
Please ensure to check the appropriate flow restrictor information if applicable.
*Please refer to website for full warranty details.



2201736

FREEPHONE: 0800 195 1602 | FAX ORDERS: 08444 068 690 | EMAIL: SALES@UK.METHVEN.COM

methven.com

THE INFORMATION ON THIS SPECIFICATION DOCUMENT WAS CORRECT AT THE DATE OF ISSUE. SOME VARIATION MAY OCCUR DUE TO THE MANUFACTURING TOLERANCES AND SITE SPECIFIC CONDITIONS.