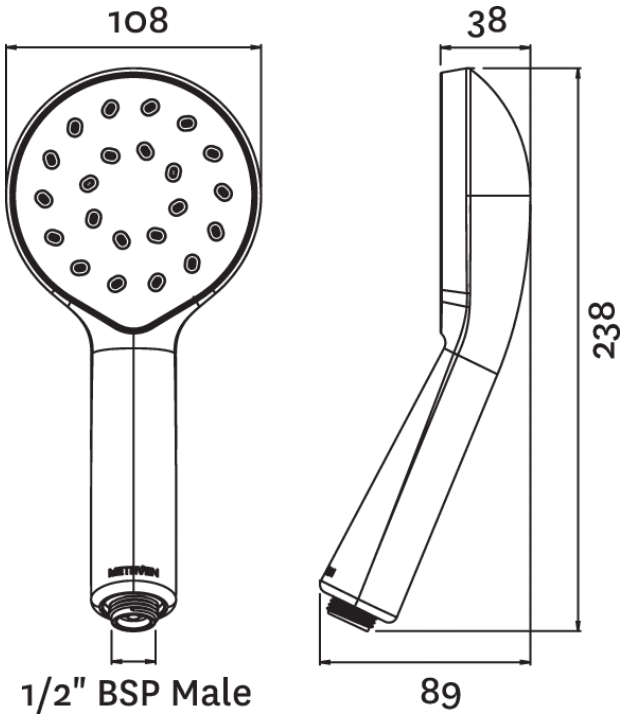


KIRI MK2 HANDSET



CONSTRUCTION: ABS

SUPPLY: Suitable For All Plumbing Systems

INLET CONNECTIONS: 1/2" BSP

WORKING PRESSURES: 0.3 - 5.0 bar

CARTRIDGE/VALVE TYPE: N/A

- Water Efficient Without Compromising Performance
- Optimised To Perform At 8 L/Min
- Satinjet® Technology Twin Jets Of Water Collide Into Thousands Of Tiny Droplets To Deliver Voluminous Shower Coverage

KRHSBK

Matte Black

Open Outlet Flow (Bar - l/min)

BAR	0.3	0.5	1.0	2.0	3.0	4.0	5.0
HANDSET FLOW	6	7.3	7.6	7.9	8.3	0	0



2104922



Please Note: Flow rate will be dictated by installation configurations.
Please ensure to check the appropriate flow restrictor information if applicable.
*Please refer to website for full warranty details.

FREEPHONE: 0800 195 1602 | FAX ORDERS: 08444 068 690 | EMAIL: SALES@UK.METHVEN.COM

methven.com

THE INFORMATION ON THIS SPECIFICATION DOCUMENT WAS CORRECT AT THE DATE OF ISSUE. SOME VARIATION MAY OCCUR DUE TO THE MANUFACTURING TOLERANCES AND SITE SPECIFIC CONDITIONS.