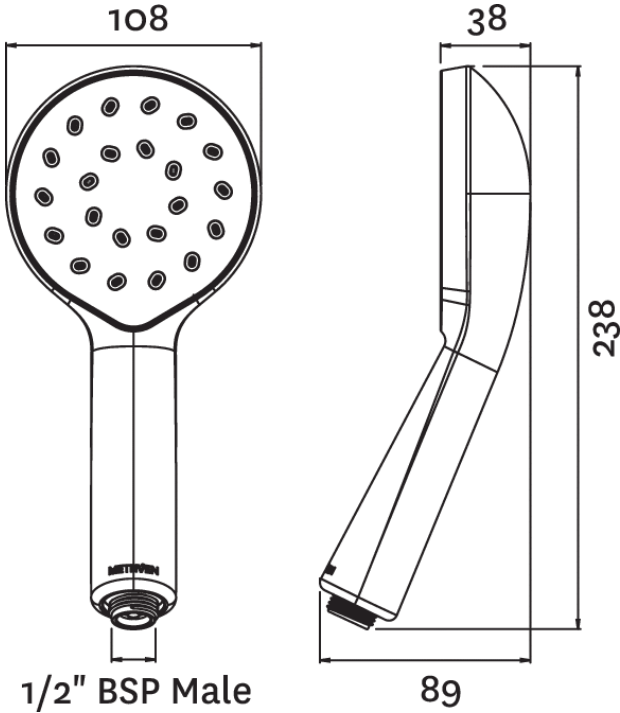


## KIRI MK2 CHROME HANDSET



**CONSTRUCTION:** ABS

**SUPPLY:** Suitable For All Plumbing Systems

**INLET CONNECTIONS:** 1/2" BSP

**WORKING PRESSURES:** 0.3 - 5.0 bar

**CARTRIDGE/VALVE TYPE:** N/A

- Water Efficient Without Compromising Performance
- Supplied With 8 L/Min Flow Regulator
- Satinjet® Technology Twin Jets Of Water Collide Into Thousands Of Tiny Droplets To Deliver Voluminous Shower Coverage

### KRHSCPUK

### Chrome

#### Open Outlet Flow (Bar - l/min)

BAR	0.3	0.5	1.0	2.0	3.0	4.0	5.0
HANDSET FLOW	6	7.3	7.6	7.9	8.3	0	0



2104922



Please Note: Flow rate will be dictated by installation configurations.  
Please ensure to check the appropriate flow restrictor information if applicable.  
\*Please refer to website for full warranty details.

**FREEPHONE: 0800 195 1602 | FAX ORDERS: 08444 068 690 | EMAIL: SALES@UK.METHVEN.COM**

[methven.com](http://methven.com)

THE INFORMATION ON THIS SPECIFICATION DOCUMENT WAS CORRECT AT THE DATE OF ISSUE. SOME VARIATION MAY OCCUR DUE TO THE MANUFACTURING TOLERANCES AND SITE SPECIFIC CONDITIONS.