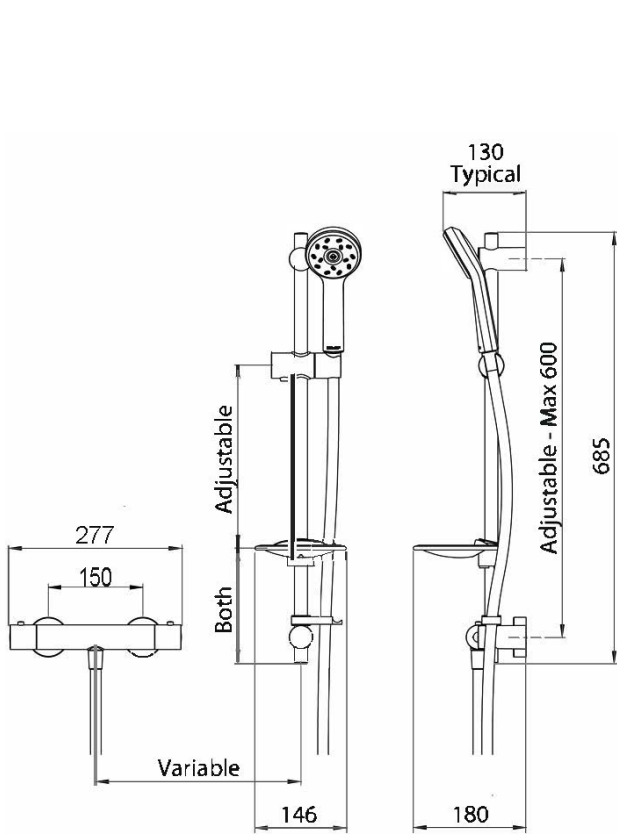


MAKU COOL TOUCH BAR SHOWER & KIT



CONSTRUCTION: Brass & ABS

SUPPLY: Suitable For Low Pressure Systems

INLET CONNECTIONS: 15mm Compression

WORKING PRESSURES: 0.3 - 5.0 bar

CARTRIDGE/VALVE TYPE:Thermostatic

- 38°C Temperature Hot Stop With Override Facility
- Safe Cool To Touch Body
- Includes Easy Fit Connections
- Includes Maku Satinjet Handset
- Riser Rail Features Adjustable Brackets - Ideal For Retrofit
- Supplied With 8L/Min Flow Regulator

MCTS

Chrome & Graphite

Open Outlet Flow (Bar - l/min)

BAR	0.1	0.3	0.5	1.0	2.0	3.0	4.0	5.0
HANDSET FLOW	1.54	2.52	3.42	5	7.11	8.38	7.95	7.84



2211909



2310587

Please Note: Flow rate will be dictated by installation configurations.
Please ensure to check the appropriate flow restrictor information if applicable.
*Please refer to website for full warranty details.

FREEPHONE: 0800 195 1602 | FAX ORDERS: 08444 068 690 | EMAIL: SALES@UK.METHVEN.COM

methven.com

THE INFORMATION ON THIS SPECIFICATION DOCUMENT WAS CORRECT AT THE DATE OF ISSUE. SOME VARIATION MAY OCCUR DUE TO THE MANUFACTURING TOLERANCES AND SITE SPECIFIC CONDITIONS.