



Metropolis

Metropolis Mono Sink Mixer

Product Code: MET 172

Finish: Chrome

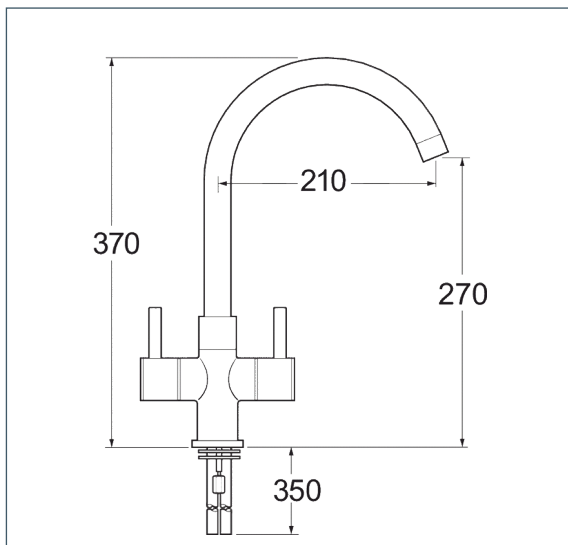
Features

- Construction:** Brass
- Valve/Cartridge type:** ¼ Turn Ceramic Disc
- Supply:** Suitable For Low Pressure Systems
- Working Pressures:** 0.1 - 5.0 bar
- Inlet connections:** ½" BSP
- Flexi or Copper:** Flexi Tails - M10

- Ceramic Disc Handles Ensure A Smooth Operation
- Swivel Spout



*Please refer to website for full warranty details.



Flow (Bar - l/min, open outlet)

Spout

Flow 0.1	Flow 0.3	Flow 0.5	Flow 1.0	Flow 2.0	Flow 3.0	Flow 4.0	Flow 5.0
6.6	10.4	14.2	21	30.3	37.2	43	47.8



2207726



2303800

