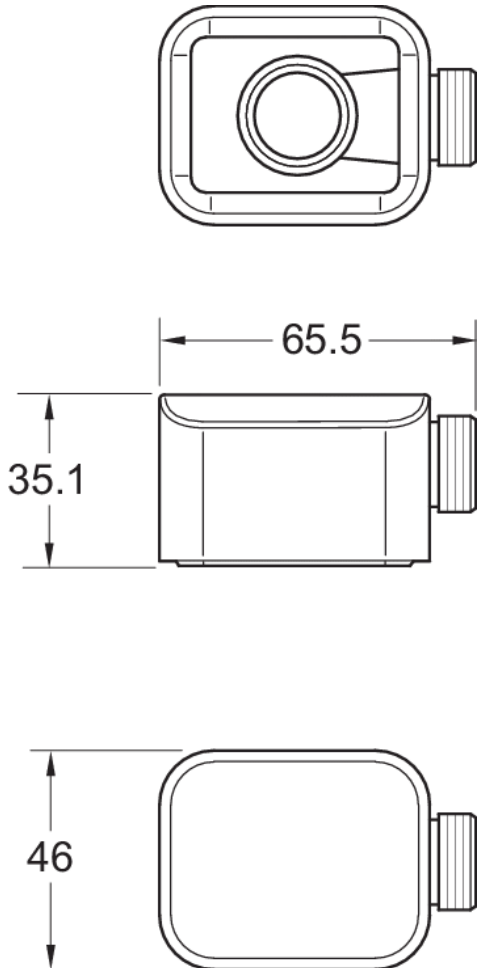


## SQUARE WALL OUTLET - CHROME



**CONSTRUCTION:** Brass  
**INLET CONNECTIONS:** 1/2" BSP

- Brass Construction
- Comes Complete With 1/2" Bsp Connection

METHSQELB

Chrome



1912728



2003806



Please Note: Flow rate will be dictated by installation configurations.  
Please ensure to check the appropriate flow restrictor information if applicable.  
\*Please refer to website for full warranty details.

**FREEPHONE: 0800 195 1602 | FAX ORDERS: 08444 068 690 | EMAIL: SALES@UK.METHVEN.COM**

[methven.com](http://methven.com)

THE INFORMATION ON THIS SPECIFICATION DOCUMENT WAS CORRECT AT THE DATE OF ISSUE. SOME VARIATION MAY OCCUR DUE TO THE MANUFACTURING TOLERANCES AND SITE SPECIFIC CONDITIONS.