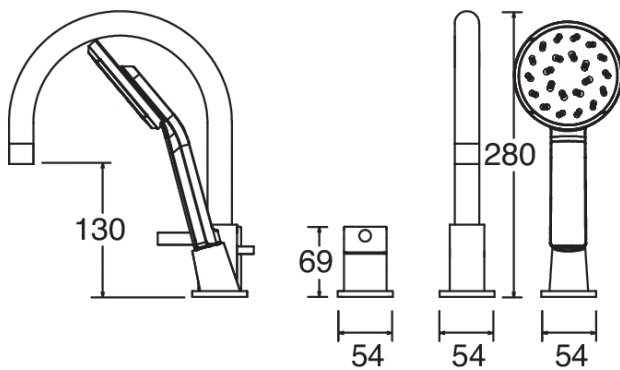


MOTU 3 TAP HOLE BATH SHOWER MIXER GUNMETAL



- Chrome
- Matte Black
- PVD Brushed Brass
- PVD Gunmetal
- PVD Brushed Nickel



CONSTRUCTION: Brass

CARTRIDGE/VALVE TYPE: Ceramic Disc

SUPPLY: Suitable For All Plumbing Systems

INLET CONNECTIONS: 3/4" BSP

WORKING PRESSURES: 0.1 - 5.0 bar

OPERATION: Separate Flow And Temperature Controls

- On Trend Gunmetal Finish For A Designer Look
- Contemporary Single Lever Design
- Complete With Kiri Satinjet Handset Regulated To 8 L/Minute
- Water Efficient Without Compromising Showering Performance
- Ceramic Disc Handles Ensure A Smooth Operation
- Products Which Are Easy To Use By All The Family

MT3BSMGM

Open Outlet Flow (Bar - l/min)

BAR	0.3	0.5	1.0	2.0	3.0	4.0	5.0
SPOUT FLOW	12.6	17.2	24	34	41.8	47.6	52.8
HANDSET FLOW	6	7.3	7.6	7.9	8.3	0	0

Gunmetal



2203303

2202706



Please Note: Flow rate will be dictated by installation configurations.
Please ensure to check the appropriate flow restrictor information if applicable.
*Please refer to website for full warranty details.

FREEPHONE: 0800 195 1602 | FAX ORDERS: 08444 068 690 | EMAIL: SALES@UK.METHVEN.COM

methven.com

THE INFORMATION ON THIS SPECIFICATION DOCUMENT WAS CORRECT AT THE DATE OF ISSUE. SOME VARIATION MAY OCCUR DUE TO THE MANUFACTURING TOLERANCES AND SITE SPECIFIC CONDITIONS.