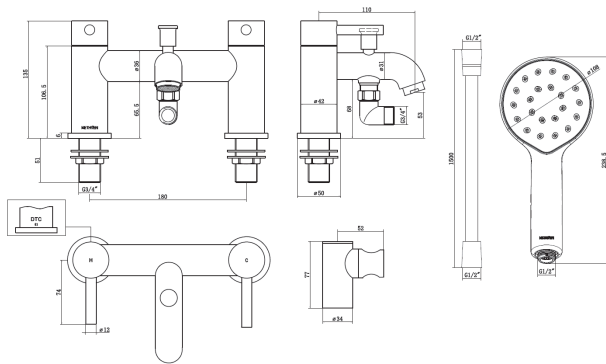


MOTU BATH SHOWER MIXER - GUNMETAL



- Chrome
- Matte Black
- PVD Brushed Brass
- PVD Gunmetal
- PVD Brushed Nickel

CONSTRUCTION: Brass & ABS

CARTRIDGE/VALVE TYPE: 3/4" QUARTER TURN

SUPPLY: Suitable For All Plumbing Systems

INLET CONNECTIONS: 3/4" BSP

WORKING PRESSURES: 0.3 - 5.0 bar

OPERATION: Separate Flow And Temperature Controls

- On Trend Gunmetal Finish For A Designer Look
- Contemporary Single Lever Design
- Complete With Kiri Satinjet Handset Regulated To 8 L/Minute & Wall Bracket
- Water Efficient Without Compromising Showering Performance
- Ceramic Disc Handles Ensure A Smooth Operation
- Products Which Are Easy To Use By All The Family

MTBSMGM

Gunmetal

Open Outlet Flow (Bar - l/min)

BAR	0.1	0.3	0.5	1.0	2.0	3.0	4.0	5.0
SPOUT FLOW	3.8	5.5	7.1	10.1	14.3	17.6	20.3	22.7
HANDSET FLOW	2.8	4.5	5.9	8.3	8	8.3	8.5	8.3



2207711



2207366



Please Note: Flow rate will be dictated by installation configurations.
Please ensure to check the appropriate flow restrictor information if applicable.
*Please refer to website for full warranty details.

FREEPHONE: 0800 195 1602 | FAX ORDERS: 08444 068 690 | EMAIL: SALES@UK.METHVEN.COM

methven.com

THE INFORMATION ON THIS SPECIFICATION DOCUMENT WAS CORRECT AT THE DATE OF ISSUE. SOME VARIATION MAY OCCUR DUE TO THE MANUFACTURING TOLERANCES AND SITE SPECIFIC CONDITIONS.