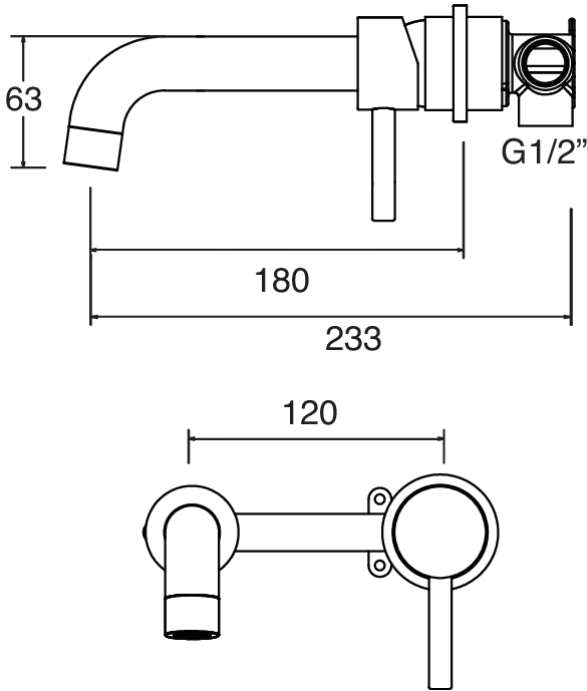


## MOTU WALL MOUNTED BASIN MIXER 180MM BRUSHED NICKEL



- Chrome
- Matte Black
- PVD Brushed Brass
- PVD Gunmetal
- PVD Brushed Nickel

**CONSTRUCTION:** Brass  
**CARTRIDGE/VALVE TYPE:** Ceramic Cartridge  
**SUPPLY:** Suitable For All Plumbing Systems  
**INLET CONNECTIONS:** 1/2" BSP  
**WORKING PRESSURES:** 0.3 - 5.0 bar  
**OPERATION:** Single lever flow and temperature control

- On Trend Brushed Nickel Finish For A Designer Look
- Contemporary Single Lever Design
- Ceramic Cartridge For Smooth Operation
- Fitted With A 4 L/Min Flow Regulator
- Slim Stream Aerator With Directional Swivel
- One Piece Inwall Breech Assembly For Ease Of Installation
- Products Which Are Easy To Use By All The Family

### MTWMB1BN

### Brushed Nickel

#### Open Outlet Flow (Bar - l/min)

BAR	0.3	0.5	1.0	2.0	3.0	4.0	5.0
SPOUT FLOW	1.7	2.1	2.9	3.8	3.5	3.3	3.4



2110317

2110703

Please Note: Flow rate will be dictated by installation configurations.  
 Please ensure to check the appropriate flow restrictor information if applicable.  
 \*Please refer to website for full warranty details.

**FREEPHONE: 0800 195 1602 | FAX ORDERS: 08444 068 690 | EMAIL: SALES@UK.METHVEN.COM**

[methven.com](http://methven.com)

THE INFORMATION ON THIS SPECIFICATION DOCUMENT WAS CORRECT AT THE DATE OF ISSUE. SOME VARIATION MAY OCCUR DUE TO THE MANUFACTURING TOLERANCES AND SITE SPECIFIC CONDITIONS.