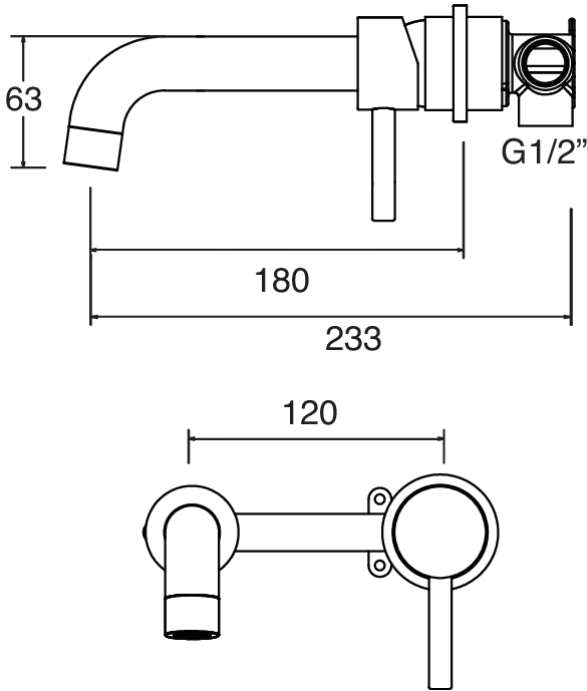


MOTU WALL MOUNTED BASIN MIXER 180MM - CHROME



- Chrome
- Matte Black
- PVD Brushed Brass
- PVD Gunmetal
- PVD Brushed Nickel

CONSTRUCTION: Brass
CARTRIDGE/VALVE TYPE: 35mm Ceramic Cartridge
SUPPLY: Suitable For Low Pressure Systems
INLET CONNECTIONS: 1/2" BSP
WORKING PRESSURES: 0.3 - 5.0 bar
OPERATION: Single lever flow and temperature control

- Contemporary Single Lever Design
- Ceramic Cartridge For Smooth Operation
- Fitted With A 4 L/Min Flow Regulator
- Slim Stream Aerator With Directional Swivel
- One Piece Inwall Breech Assembly For Ease Of Installation
- Products Which Are Easy To Use By All The Family

MTWMB1CP

Chrome

Open Outlet Flow (Bar - l/min)

BAR	0.1	0.3	0.5	1.0	2.0	3.0	4.0	5.0
SPOUT FLOW	1.3	1.7	2.1	2.9	3.8	3.5	3.3	3.4



KUKreg4
2110703



2110317



Please Note: Flow rate will be dictated by installation configurations.
 Please ensure to check the appropriate flow restrictor information if applicable.
 *Please refer to website for full warranty details.

FREEPHONE: 0800 195 1602 | FAX ORDERS: 08444 068 690 | EMAIL: SALES@UK.METHVEN.COM

methven.com

THE INFORMATION ON THIS SPECIFICATION DOCUMENT WAS CORRECT AT THE DATE OF ISSUE. SOME VARIATION MAY OCCUR DUE TO THE MANUFACTURING TOLERANCES AND SITE SPECIFIC CONDITIONS.